

PPR Series - Pneumatic-Pneumatic Positioner (Rotary)

Schematic Representation Only



TFV PPR Series are the robust control devices which stand up to harsh environments and engineered to meet the highest and most demanding control performance that the process industries of today require.

Technical Specifications :

PPR		
Rotary Type (Cam Feedback)		
	Single	Double
Input Signal	0.2 - 1.0 bar (3 - 15 psi) (Note.1, 2)	
Supply Air Pressure	Max. 7.0 bar (100 psi)	
Standard Stroke	60 - 100° (Note.3)	
Pneumatic Connections	PT(Rc) 1/4 or NPT 1/4	
Ambient Temperature	-20 ~ +70°C (Note. 4)	
Pressure Gauge	Stainless steel	
Output Characteristics	Linear	
Linearity	Within $\pm 1.0\%$ F.S	Within $\pm 1.5\%$ F.S
Sensitivity	Within $\pm 0.5\%$ F.S	
Hysteresis	Within 1.0 % F.S	
Repeatability	Within $\pm 0.5\%$ F.S	
Air Consumption	5 LPM (Sup. 1.4 bar)	
Flow Capacity	80 LPM (Sup. 1.4 bar)	
Body Material	Aluminium die-cast	
Weight	2.5 kg	

Note:

- 1) 1/2 split range is available for 3~9 psi input signal or 9~15 psi input signal.
- 2) Please contact for 6~30 psi input signal.
- 3) Operating angle can be adjusted to 0~60° or 0~100°.
- 4) High temperature option : up to +120 °C without feedback options.
up to +85 °C with feedback options.

Features :

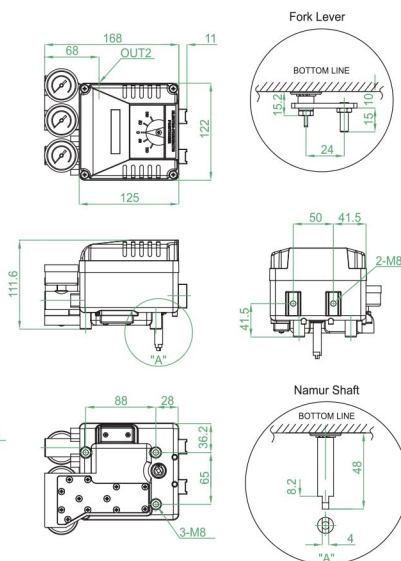
- Easy maintenance.
- Precise calibration with simple SPAN and ZERO adjustments.
- Simple conversion to direct acting or reverse acting.
- 1/2 split range available.
- Rugged aluminium housing with corrosion-resistant coating.
- Vibration resistant design.
- Stainless Steel gauges standard.
- Restricted pilot valve orifice kit for small actuators included.

Options :

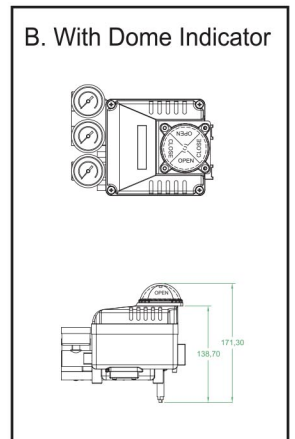
- Position transmitter (4-20mA output signal).
- 2 x SPDT limit switch.
- 2 x P&F proximity sensor NJ2-V3-N.
- Visual dome indicator.
- High temperature.

Dimensions :

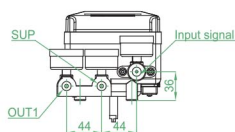
A. With Flat Indicator



B. With Dome Indicator



* With dome indicator.



PPR Series - Pneumatic-Pneumatic Positioner (Rotary)

How to Order :

PPR	Feedback Shaft	Pressure Gauge (SUP. OUT)	Pilot Valve Orifice	Position Feedback	Connection Threads	Dome Indicator	High Temp	Mounting Bracket
------------	----------------	---------------------------	---------------------	-------------------	--------------------	----------------	-----------	------------------

Schematic Representation Only

Description	Code
Feedback Shaft :	N : NAMUR shaft (direct mounting) A : Fork lever M6 x 40L B : Fork lever other size on request
Pressure Gauge :	1 : 6 bar (90 psi) 2 : 10 bar (150 psi)
Pilot Valve Orifice :	S : Standard (Actuator volume over 180 cm ³) M : Small orifice (φ 1.0 or φ 0.7) (Actuator volume 90~180 cm ³)
Position Feedback :	N : None (standard) O : Position transmitter (4~20mA output signal) L : 2 x SPDT limit switch P : 2 x proximity sensor P&F NJ2-V3-N M : O+L Q : O+P

Description	Code
Connection Threads : (pneumatic)	3 : PT(Rc) 1/4 4 : NPT 1/4
Dome Indicator :	N : Flat indicator (standard) D : Dome indicator
High Temperature :	T : 70°C (standard) H : 120°C (without position feedback option) 85°C (with position feedback option)
Mounting Bracket :	N : None
• NAMUR Shaft Type :	R : Multi-size NAMUR bracket for DIN VDI/VDE 3845 (130 × 30 × 50 bracket on request)
• Fork Lever Type :	F : DHCT bracket 80x30 for fork lever type E : Multi-size NAMUR bracket for fork lever type (130 × 30 × 50 bracket on request)

Pneumatic-Pneumatic Positioner (Rotary Type), NAMUR Shaft, Pressure Gauge 10 bar (150 psi), Standard Pilot Valve Orifice, 2 X SPDT Limit Switch, Connection Threads NPT 1/4, Dome Indicator, Standard HighTemperature (70°C) with Multi-size NAMUR bracket for DIN VDI / VDE 3845.

PPR-A2SL-4DTR

