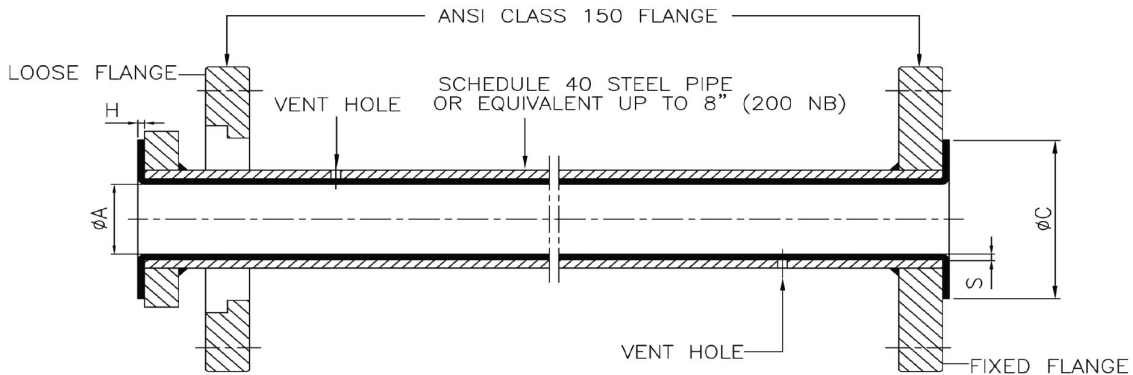


PL Series - Lined Pipe (Non Jacketed)

Schematic Representation Only



Housing Material Options :

- PIPE : 1. SEAMLESS CS ASTM A106 GR.B, SCH.-40
2. ASTM A312 TP 304, SCH.-40
- FLANGE : 1. IS 2062 / ASTM A105
2. ASTM A351 GR. CF8

Lining Material Options :

- TEFLON® PTFE – ASTM D 4895
- PVDF – ASTM D 3322
- POLYPROPYLENE – ASTM D 4101
- HDPE

Dimensional Data For PTFE Lined Pipes:

ANSI #150 Flanged						
SIZE	ØA (mm)	ØC (mm)	H (mm)	S (MIN.) (mm)	Approx Weight (Kg)	
					FOR 1 Mtr.	Additional Kg./Mtr.
DN25-1"	20.5	51	2.3	3.0	4.69	2.95
DN40-1 1/2"	33.5	73	3.0	3.25	7.92	4.97
DN50-2"	45.5	92	3.0	3.25	11.04	6.63
DN80-3"	70.9	127	3.5	4.0	21.96	13.74
DN100-4"	94	157	3.5	4.5-5.0	30.52	19.4
DN150-6"	144.1	216	4.5	6.0-6.5	On Request	On Request
DN200-8"	190.7	270	5.0	Consult Factory	On Request	On Request

Lined Pipe Vacuum Resistance (in inch of Mercury)						
Material	Temp.	25 NB	40 NB	50 NB	80 NB	100 NB
PTFE	21°C	Full	Full	Full	Full	Full
	100°C	Full	Full	Full	Full	Full
	175°C	Full	Full	Full	Full	Full
PVDF	21°C	Full	Full	Full	Full	Full
	85°C	Full	Full	Full	Full	Full
PP	135°C	Full	Full	Full	Full	Full
	21°C	Full	Full	Full	Full	Full
HDPE	95°C	Full	Full	Full	Full	Full
	21°C	Full	Full	Full	Full	Full
	65°C	Full	Full	Full	Full	Full

Y Consult "Hi – Tech Applicator" for vacuum services. Special Heavy Duty PTFE Liners available for full vacuum. Details can be provided on request.

Y Other Flange Drillings like, DIN 2632 / 2633 , BS 10 Table D, E or F are also available on request.

Y Max. Length available : 3 Mtr.

Y Tolerance : ±3.5mm (0 to 1 Mtr.) and ±5.0mm (1 to 3 Mtr.)

Y Clear ID for HDPE/PP Lined Pipes (DN/ID): 25/18 , 40/32 , 50/42 , 65/57 , 80/67

Test & Inspection Data :

Resins are conforming to the requirements of ASTM F1545-97 (2003)

- Hydraulic Test : 29 Kg/Cm² After Lining
- Spark Test : 15 KV D.C After Lining

Technical Information subject to change without notice



How to Order - PL Series

How to Order:

Series	Material					Features					
Number	Body	Trim	Body & Trim Liner	Seats	Ends	Class	Size	Operation			
PL	2 A106 GR. B	NONE	P PTFE	NONE	F FLANGED RF	0 ANSI 150#	01 1"	NONE			
	3 A312 TP 304		V PVDF				01.25 1-1/4"				
	4 ASTM A395		L PPL				01.5 1-1/2"				
			W HDPE				02 2"				
			A PFA				02.5 2-1/2"				
			F FEP				03 3"				
							04 4"				
							06 6"				
							08 8"				

Lined Pipe, Body A106 Gr. B + PFA Liner, Flanged RF ANSI Class 150# Size 6"

PL-2A-F006

