

# BALL VALVES

## FULL PORT 2 PCS BALL VALVE

Series 12E

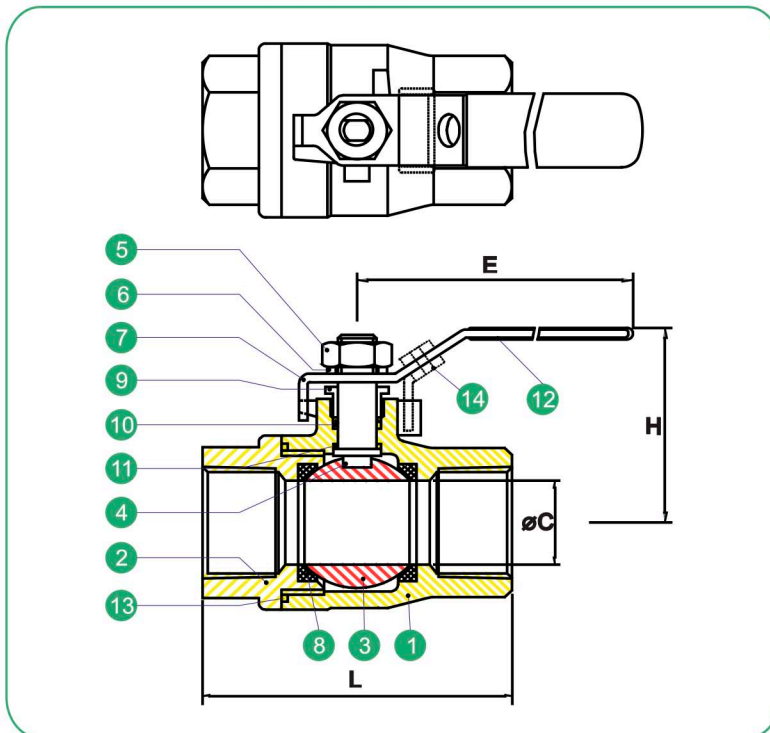


### FEATURES

- FULL PORT MINIMIZES PRESSURE DROP AND PROLONG LIFE.
- LOCKING DEVICE
- GLASS FIBER REINFORCED PTFE SEATS
- ADJUSTABLE STEM PACKING
- BLOW-OUT STEM PROOF
- INVESTMENT CAST BODY CONSTRUCTION
- 1000# W.O.G. (69 BAR)
- THREADED NPT ENDS ANSI B 1.20.1
- MANUFACTURED IN ISO 9001 APPROVED FACILITY

### MATERIAL LIST

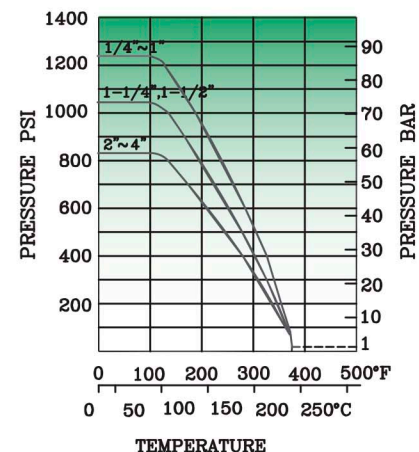
No.	PART NAME	MATERIALS
1	BODY	CF8M
2	CAP	CF8M
3	BALL	SS 316
4	STEM	SS 316
5	STEM NUT	SS 304
6	STEM WASHER	SS 304
7	HANDLE	SS 304
8	SEAT	PTFE
9	GLAND NUT	SS 304
10	STEM PACKING	PTFE
11	THRUST WASHER	PTFE
12	HANDLE SLEEVE	VINYL
13	JOINT GASKET	PTFE
14	LOCKING PLATE	SS 304



### DIMENSION (INCHES)

SIZE	L	H	ØC	E	CV	TORQUE (IN-LB)	W (LBS)
1/4"	1.96	1.57	0.45	3.82	6.6	34.72	0.46
3/8"	1.96	1.57	0.49	3.82	7.9	34.72	0.46
1/2"	2.37	1.77	0.59	3.82	11.2	46.87	0.64
3/4"	2.68	1.89	0.79	4.53	21	64.23	1.17
1"	3.05	1.97	0.98	5.28	35	90.27	1.17
1 1/4"	3.55	2.36	1.26	5.67	57	117.17	2.53
1 1/2"	4.06	2.95	1.50	6.10	80	156.23	3.85
2"	4.83	3.43	1.97	6.69	148	216.99	6.60
2 1/2"	5.89	4.13	2.56	8.74	265	416.62	13.64
3"	6.69	4.72	2.99	8.74	415	650.97	22.55
4"	8.74	6.30	3.70	10.55	780	954.76	50.60

### PRESSURE-TEMPERATURE CHART





# BALL VALVES

## FULL PORT 2 PCS BALL VALVE

### HOW TO ORDER

CLASS	SERIES VALVE BODY DESIGN	MATERIAL			ENDS	SIZE		OPERATION
		BODY	TRIM	SEAT				
1 1000# WOG	2E Full Port Ball Valve 2 Pcs Compact Design	2 WCB	3 316SS	P PTFE	T Threaded	0.25	1/4"	L Manual Lever Operation C Manual Lever w / Locking Device Operation
		3 CF8M	4 304SS	R R-PTFE		0.38	3/8"	
						0.5	1/2"	
						0.75	3/4"	
						01	1"	
						01.25	1 1/4"	
						01.5	1 1/2"	
						02	2"	
						02.5	2 1/2"	
						03	3"	

Example

Full Port Ball Valve Body & Trim 316SS, Seats: PTFE, Ends: Threaded, 1/2" 1000# WOG with Lever.

**12E23PT0.5L**

