

BALL VALVES

STANDARD PORT 1 PC BALL VALVE

FEATURES

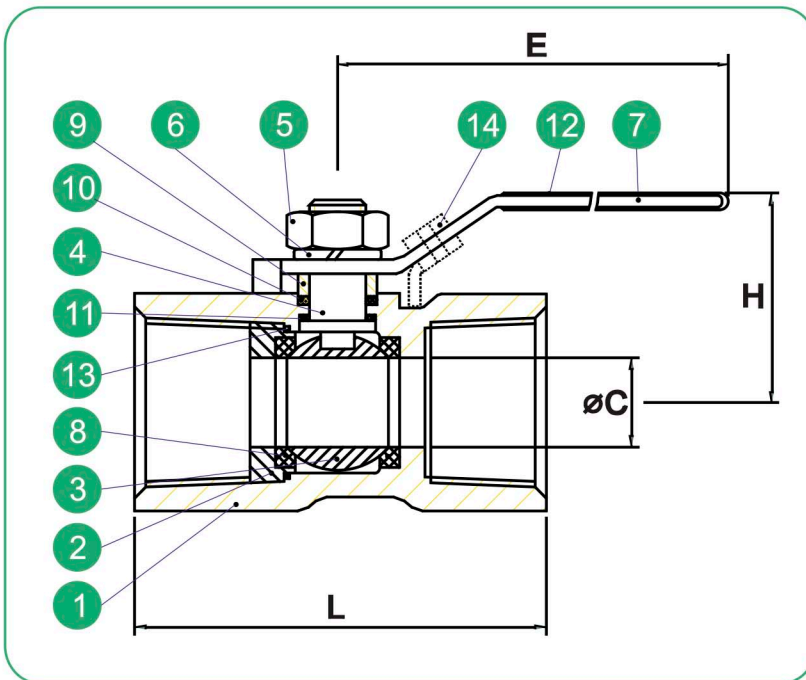
- STANDARD PORT
- BLOW-OUT STEM PROOF
- INVESTMENT CAST BODY CONSTRUCTION
- 1000# WOG FROM 1/4" - 1 1/4"
- 800# WOG FROM 1 1/2" - 2"
- ECONOMICAL COMPACT DESIGN
- LOW OPERATION TORQUE
- THREADED NPT ENDS ANSI B1.20.1
- MANUFACTURED IN ISO 9001 APPROVED FACILITY
- COMPLY WITH API 608

Series 11E33

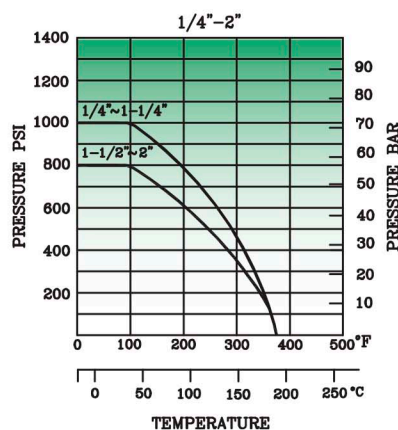


MATERIAL LIST

No.	PART NAME	MATERIALS
1	BODY	CF8M
2	CAP	CF8M
3	BALL	SS 316
4	STEM	SS 316
5	STEM NUT	SS 304
6	STEM WASHER	SS 304
7	HANDLE	SS 304
8	SEAT	PTFE
9	GLAND	SS 304
10	STEM PACKING	PTFE
11	STEM SEAL	PTFE
12	HANDLE SLEEVE	VINYL
13	JOINT GASKET	PTFE
14	LOCKING PLATE	SS 304



PRESSURE-TEMPERATURE CHART



DIMENSION (INCHES)

SIZE	ØC	L	H	E	CV	Torque (LB-IN)	Weight (LBS)
1/4"	0.20	1.57	1.18	2.48	3.80	10.42	0.15
3/8"	0.28	1.73	1.38	2.68	4.00	10.42	0.29
1/2"	0.36	2.22	1.57	3.50	4.50	11.28	0.37
3/4"	0.49	2.32	1.69	3.50	9.0	17.36	0.55
1"	0.63	2.80	1.85	3.94	16.0	32.98	0.92
1 1/4"	0.79	3.07	2.05	3.94	24.0	43.40	1.50
1 1/2"	0.96	3.27	2.56	4.80	37.0	62.49	1.87
2"	1.26	3.94	2.80	4.80	68.0	78.12	3.06



BALL VALVES

STANDARD PORT 1 PC BALL VALVE

HOW TO ORDER

CLASS	SERIES VALVE BODY DESIGN	MATERIAL			ENDS	SIZE	OPERATION						
		BODY	TRIM	SEAT									
1 800/1000# WOG	1E Std Port Ball Valve 1 Pc Design	2	WCB	3	316SS	P	PTFE	T	Threaded	0.25	1/4"	L Manual Lever Operation	
		3	CF8M	4	304SS					0.38	3/8"		
										0.5	1/2"		C Manual Lever w / Locking Device Operation
										0.75	3/4"		
										01	1"		
										01.25	1 1/4"		
										01.5	1 1/2"		
				02	2"								

Example

Ball Valve Body & Trim 316SS, Seats: PTFE, Ends: Threaded, 1/2" 1000# WOG with Lever.

11E33PT0.5L

