

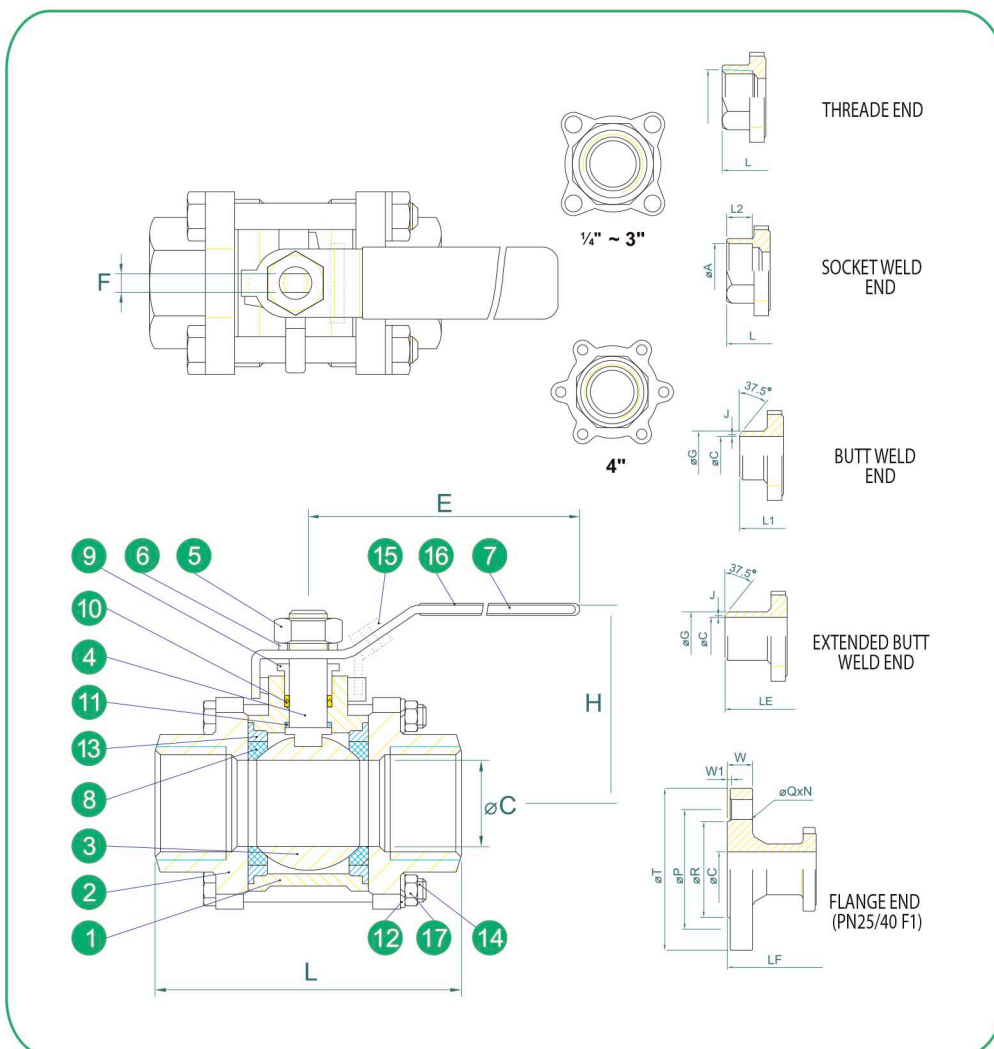
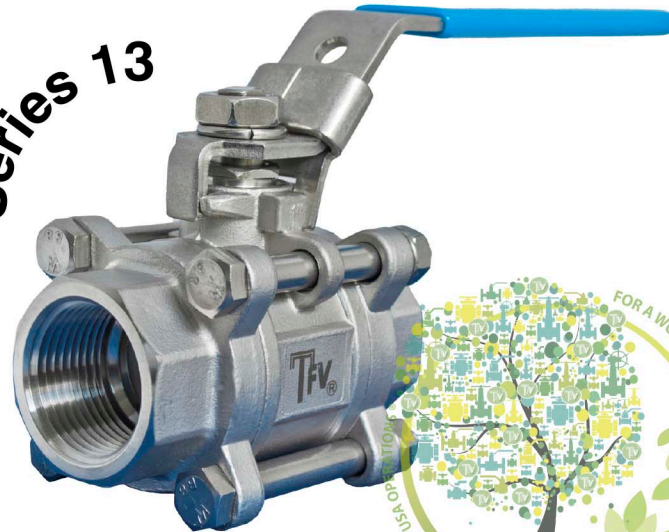
# BALL VALVES

## 3 PIECES FULL PORT BALL VALVE

### FEATURES

- FULL PORT MINIMIZES PRESSURE DROP AND PROLONGS LIFE.
- LOCKING DEVICE
- GLASS FIBER REINFORCED PTFE SEATS
- PACKING "V" RING DESIGN
- DOUBLE SEAL JOING GASKET
- ADJUSTABLE STEM PACKING
- BLOW-OUT STEM PROOF
- INVESTMENT CAST BODY CONSTRUCTION
- 1000 PSI (69 BAR) W.O.G.
- THREADED ENDS ANSI B2.1
- SOCKET WELD ENDS ANSI B16.11
- BUTT WELD ENDS ANSI B.16.25
- MANUFACTURED IN ISO 9001 APPROVED FACILITY
- COMPLY WITH API 608

Series 13



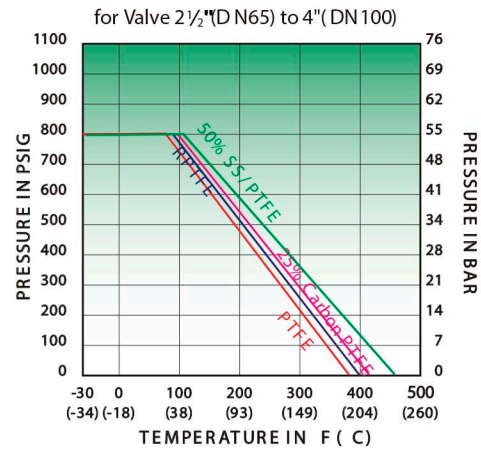
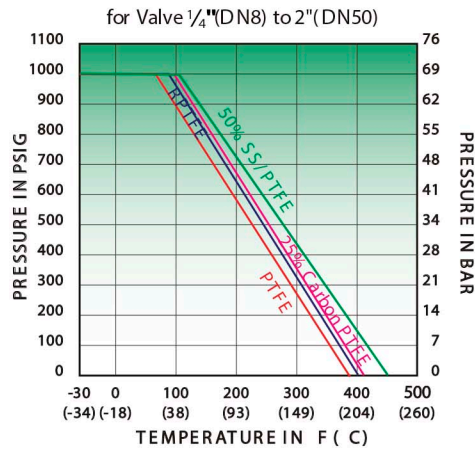
### MATERIAL LIST

No.	PART NAME	MATERIAL
1	BODY	WCB CF8M
2	END CAP	WCB CF8M
3	BALL	SS 316
4	STEM	SS 316
5	STEM NUT	SS 304
6	STEM WASHER	SS 304
7	HANDLE	SS 304
8	SEAT	PTFE
9	GLAND NUT	SS 304
10	V-RING PACKING	PTFE
11	STEM SEAL	PTFE
12	BOLT WASHER	SS 304
13	JOINT GASKET	PTFE
14	BOLT	SS 304
15	LOCKING DEVICE	SS 304
16	HANDLE SLEEVE	VINYL
17	BOLT NUT	SS 304

# BALL VALVES

## 3 PIECES FULL PORT BALL VALVE

### PRESSURE-TEMPERATURE CHART



### DIMENSION (INCHES)

SIZE	ØA	ØC	E	F	ØG	H	L	L1	L2	LE	LF	ØP	ØQ	ØR	ØT	W	W1
1/4"	0.56	0.46	3.94	0.20	0.55	1.97	2.23	2.23	0.39	8.86	N/A	N/A	N/A	N/A	N/A	N/A	N/A
3/8"	0.69	0.50	3.94	0.20	0.69	1.97	2.23	2.23	0.39	8.86	N/A	N/A	N/A	N/A	N/A	N/A	N/A
1/2"	0.85	0.59	5.12	0.26	0.89	2.36	2.58	2.58	0.39	8.86	5.12	0.16	0.55	1.77	3.74	0.63	0.08
3/4"	1.07	0.79	5.12	0.26	1.08	2.52	3.00	3.00	0.51	8.86	5.91	0.16	0.55	2.28	4.13	0.71	0.08
1"	1.34	0.98	6.50	0.31	1.32	2.80	3.39	3.39	0.51	9.65	6.30	0.16	0.55	2.68	4.53	0.71	0.08
1 1/4"	1.69	1.26	6.50	0.31	1.65	3.07	4.05	4.05	0.51	10.04	7.09	0.16	0.71	3.07	5.51	0.71	0.08
1 1/2"	1.92	1.50	7.48	0.38	1.91	3.39	4.69	4.69	0.51	10.24	7.87	0.16	0.71	3.46	5.91	0.71	0.12
2"	2.40	1.97	7.48	0.38	2.38	3.74	5.17	5.17	0.63	10.83	9.06	0.16	0.71	4.02	6.50	0.79	0.12
2 1/2"	2.89	2.56	9.84	0.47	3.00	5.12	6.46	6.46	0.63	13.15	11.42	0.31	0.71	4.80	7.28	0.87	0.12
3"	3.54	3.15	9.84	0.47	3.54	5.83	7.19	7.19	0.63	13.94	12.20	0.31	0.71	5.43	7.87	0.94	0.12
4"	4.54	3.94	11.02	0.59	4.57	7.28	9.28	9.30	0.79	14.37	13.78	0.31	0.87	6.38	9.25	0.94	0.12

SIZE	W (LBS)	TORQUE (IN-LB)
1/4"	0.77	60
3/8"	0.73	60
1/2"	1.23	60
3/4"	1.65	80
1"	2.29	140
1 1/4"	3.83	150
1 1/2"	5.30	260
2"	8.05	320
2 1/2"	15.62	520
3"	23.10	700
4"	45.67	1160





# BALL VALVES

## 3 PIECES FULL PORT BALL VALVE

### HOW TO ORDER

CLASS	SERIES VALVE BODY DESIGN	FEATURES	MATERIAL			ENDS	SIZE	OPERATION
			BODY	TRIM	SEAT			
1 1000 WOG	3 Full Port 3 Pcs Ball Valve	<b>O</b> Oxigen Service <b>NONE</b> NONE	2 WCB	3 316SS	P PTFE	T Threaded	0.25 1/4"	L Manual lever Operator
			3 CF8M	4 304SS	R R-PTFE		0.38 3/8"	
					U UHMWPE	M Two different ends to be specify on each order	0.5 1/2"	C Manual Lever with Locking Device
					S 50/50 SS Filled PTFE		0.75 3/4"	
					C Carbon Filled PTFE	F Flanged RF (150#)	01 1"	B Bare Shaft
					M MG1241		01.25 1 1/4"	
					D DELRIN		01.5 1 1/2"	S Spring Return Safety Handle
					K PEEK		02 2"	
					B NBR		02.5 2 1/2"	SR Spring Return Sliding lock
							03 3"	
				04 4"	O Oval Handle			
					X Economical stem extension			
					P Peumatic Actuator			
					E Electric Actuator			

Example

Full Port Ball Valve, Body WCB, Trim 316SS, Seats: R-PTFE, Ends: Threaded, Size 1/2", 1000# WOG with Lever.

**1323RT0.5L**

