

BALL VALVES

DIRECT MOUNTED HIGH PERFORMANCE SAMPLING BALL VALVE



MATERIAL LIST

No.	Part	Material
1	Body	WCB / CF8M
2	End Cap	WCB / CF8M
3	Ball	SS 316
4	Stem	SS 316
5	Stem Nut	SS 304
6	Belleville Washer	SS 301
7	Handle	SS 304
8	Ball Seat	Reinforced PTFE
9	Gland	SS 304
10	Gland Packing	PTFE
11	Stem Seal	Reinforced PTFE
12	Lock Saddle	SS304
13	Joint Gasket	PTFE
14	Bolt	SS 304
16	Handle Sleeve	Vinyl
17	Bolt Nut	SS 304
18	Stem Washer	SS 304
20	Locking Device	SS 304
21	Pin Nut	SS 304
22	O- Ring	VITON

FEATURES

1.A TRUE DIRECTING MOUNTING 3 PCS BALL VALVE

- EXTENDED ACTUATOR MOUNTING PAD ACCORDING TO ISO 5211.
- WITH A SQUARE STEM.
- BEST OF ALL, EASY MATED TO PNEUMATIC AND ELECTRIC ACTUATORS. EXCELENT FOR AUTOMATED SERVICE IN THE PROCESS INDUSTRY.
- NO BRACKETS AND ADAPTORS ARE REQUIRED. TIME AND LABOR SAVING, PROVIDES EASY AND LOW COST AUTOMATION.

2.THREE PIECE DESIGN

- FAST AND SIMPLE IN LINE MAINTENANCE, SEATS, SEALS, AND BALL CAN BE REPLACED QUICKLY AND EASILY WITHOUT DISTURBING PIPE ALIGNMENT.

3.MAINTENANCE FREE DOUBLE SEALING HIGH CYCLE STEM

- PROVIDES TIGHT SHUT OFF SEALING AND **EXTRA LONGER LIFE 100,000 CYCLES AND UP.**
- SELF - ADJUSTING STEM PACKING SYSTEM WITH BELLEVILLE WASHERS, AUTOMATICALLY ADJUST FOR WEAR. TEMPERATURE, AND PRESSURE FLUCTUATIONS.
- V CHEVRON PACKING / VITON O'RING IMPROVES SEAL AND REDUCES OPERATING TORQUE.

4.FULL PORT CONSTRUCTION

- ASSURES FULL UNOBSTRUCTED FLOW, ELIMINATES TRAP AREAS, AND REDUCES PRESSURE DROP.

5.ALL STAINLESS WELD ENDS IN 316 L

- REDUCE INTER-GRANULAR CORROSION IN WELDING.

6.BOTTOM ENTRY BLOW-OUT PROOF STEM

- PREVENTS STEM FROM BLOWING OUT, PROVIDES MAXIMUM SAFETY.

7.EXTENDED NECK

- ALLOWS EASY ACCESS FOR MOUNTING ACTUATOR WITHOUT INTERFERENCE WITH PIPE LINE.

8.RELIEF SOLTS IN THE BALL SEAT

- ASSIST IN DOWN STREAM SEALING REDUCING SEAT WEAR AND OPERATING TORQUE.

9.ANTI - STATIC DEVICE

- AN INTERNAL ANTI - STATIC DESIGN IS STANDARD

10. "V" PORT DESIGN AVAILABLE

11. OPTIONS

- NACE MR-0175

12. APPROVALS

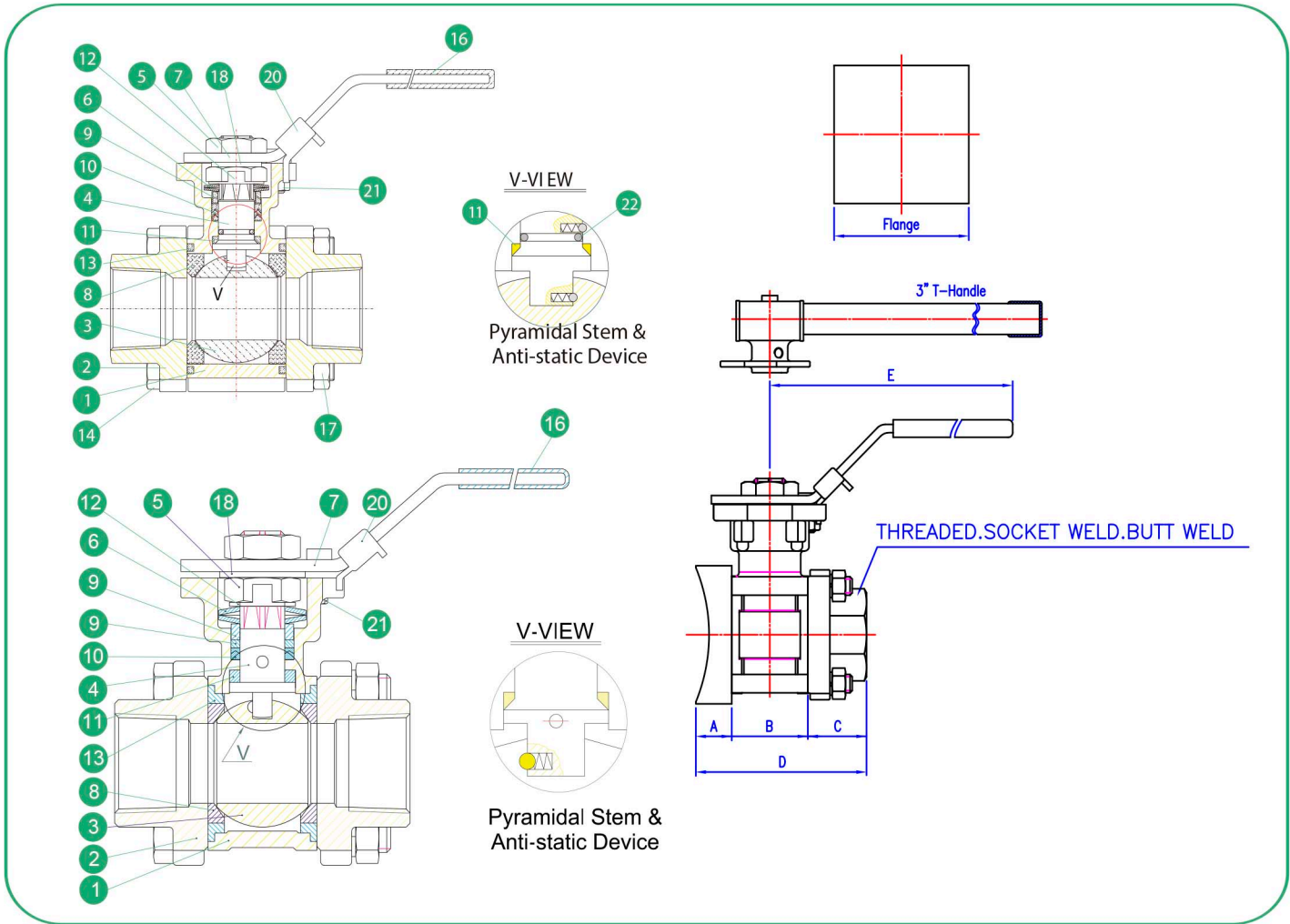
- FIRE SAFE AS PER API 607 REV 4, CE 0035 PED/97/23/EC Category III Module H, TA-Luft, EX II 2 GD ATEX 94/9/EC

13. MATERIAL AVAILABLE

- VALVE: SS 316L, TITANIUM, DUPLEX, HASTELLOY, C... ETC
SEATS: PTFE, RPTFE, TFM 1600, CARBON FILLED PTFE, 50/50 SS FILLED PTFE, UHMWPE, PEEK, DELRIN, METAL ... ETC

BALL VALVES

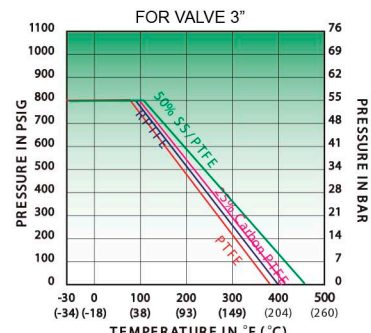
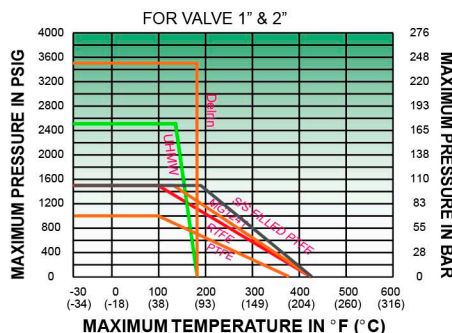
DIRECT MOUNTED HIGH PERFORMANCE SAMPLING BALL VALVE



DIMENSION (INCHES)

Size	Flange	A	B	C	D	E	Weight (LB)	Torque (IN-LB)	CV	ISO5211 (MM) Flange	S
1"	3.94 X 3.94	0.98	1.63	1.26	3.91	6.50	4.42	142	56	F04/F05	11
2"	5.91 X 5.91	1.18	2.81	1.41	5.40	8.46	12.83	416	250	F05/F07	14
3"	5.91 X 5.91	1.18	3.90	1.65	6.72	14.57	7.19	487	580	F07/F10	17

PRESSURE-TEMPERATURE CHART





BALL VALVES

DIRECT MOUNTED HIGH PERFORMANCE SAMPLING BALL VALVE

HOW TO ORDER

CLASS		SERIES	BODY MATERIAL	TRIM MATERIAL	SEAT	ENDS	FEATURES	SIZE	OPERATION				
		VALVE BODY DESIGN											
1	1000 WOG	3PM Full Port Sampling MK Bracket Ball Valve	2	WCB	P	PTFE	T	Threaded	NONE None	01 1" 02 2" 03 3"	L Manual lever Operator C Manual Lever with Locking Device B Bare Shaft S Spring Return Safety Handle SR Spring Return Sliding Lock O Oval Handle X Economical Stem Extension P Pneumatic Actuator E Electric Actuator		
			3	CF8M	3	316SS	R	R-PTFE				F	Flanged RF (150#)
					4	316SS	U	UHMWPE					
							S	50/50 SS Filled PTFE					
							C	Carbon Filled PTFE					
						M	MG1241						

Example

Full Port Sampling Ball Valve, Body & Trim 316SS, Seats: PTFE, Ends: Flanged ANSI Class 150# Size 2" with Lever.

13PM33PF02L

