

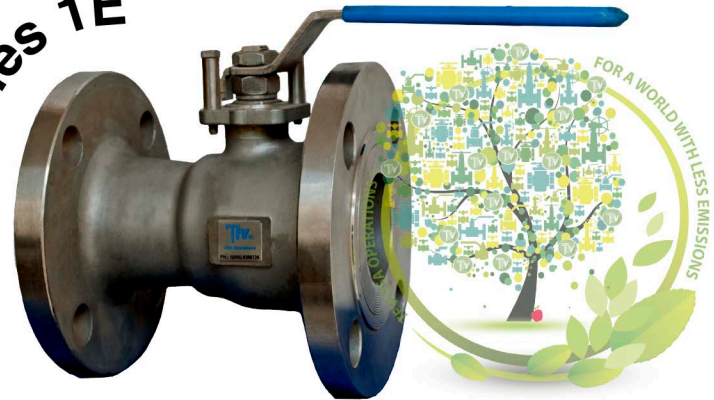
BALL VALVES

1 PC UNIBODY BALL FLANGED VALVE ANSI CLASS 150

FEATURES

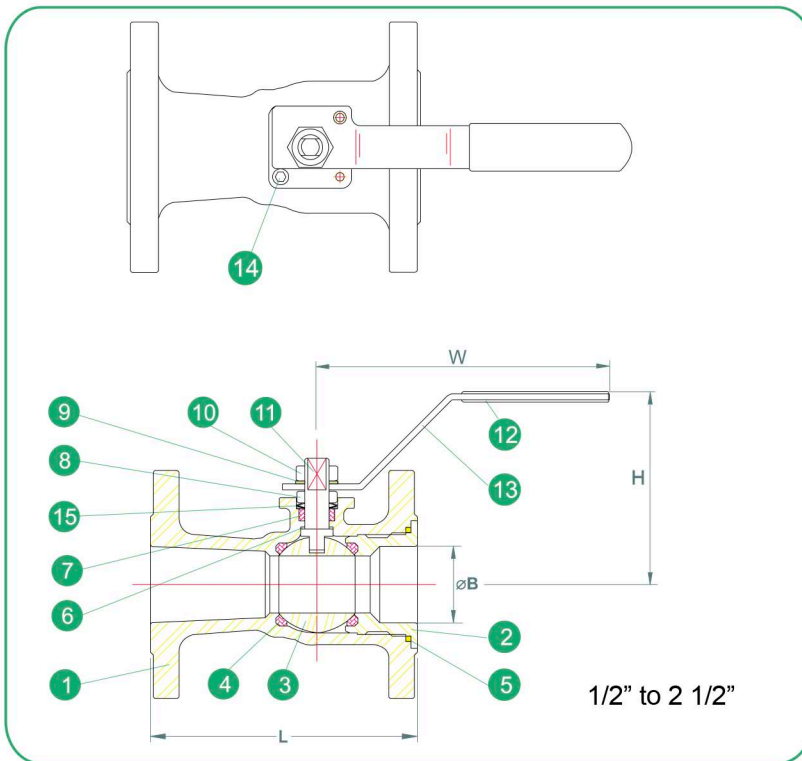
- COMPACT UNIBODY CONSTRUCTION.
- SECURE ISO 5211 ACTUATOR MOUNTING PAD AS STANDARD.
- DUAL, FULLY ENCAPSULATED BODY SEALS.
- STANDARD BORE
- MAINTENANCE FREE BELLVILLE WASHERS LIVE LOADED DOUBLE SEALING HIGH CYCLE STEM
- ADJUSTABLE STEM PACKING
- BOTTOM ENTRY BLOW-OUT STEM PROOF
- INVESTMENT CAST BODY CONSTRUCTION FROM 1/2" TO 4", UP SAND CAST
- LOCKING DEVICE
- FACE TO FACE ANSI B16.10 (SHORT PATTERN), FLANGED ANSI B16.5, DESIGN ANSI B16.34
- MANUFACTURED IN ISO 9001 APPROVED FACILITY
- COMPLY WITH API 608

Series 1E



MATERIAL LIST

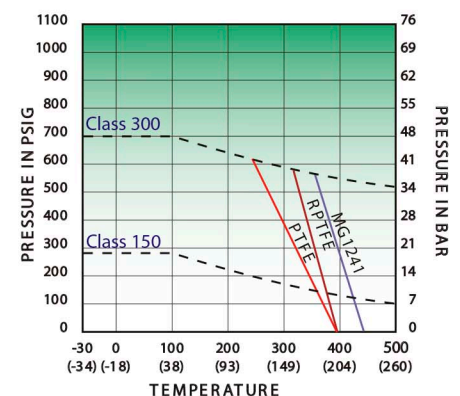
No.	PART NAME	MATERIAL	
1	BODY	WCB	CF8M
2	END CAP	WBC	CF8M
3	BALL		SS 316
4	BALL SEAT		PTFE
5	BODY SEAL		PTFE
6	STEM SEAL		PTFE
7	STEM PACKING		PTFE
8	STEM NUT		CF8M
8*	GLAND FLANGE		CF8M
9	WASHER		SS 304
10	HANDLE NUT		SS 304
10*	RETAINING RING		SS 304
11	STEM	S 316	SS 304
12	GRIP		VINIL
13	HANDLE	SS 316	CARBON STEEL
14	STOP PIN		CF8M
14*	BOSS		CF8
15	BELLEVILLE WASHER		SS 304
16*	STOPPER		SS 304
17*	BOLT		SS 304
18*	BOLT		SS 304
19*	GLAND BOLT		SS 304



DIMENSION (INCHES)

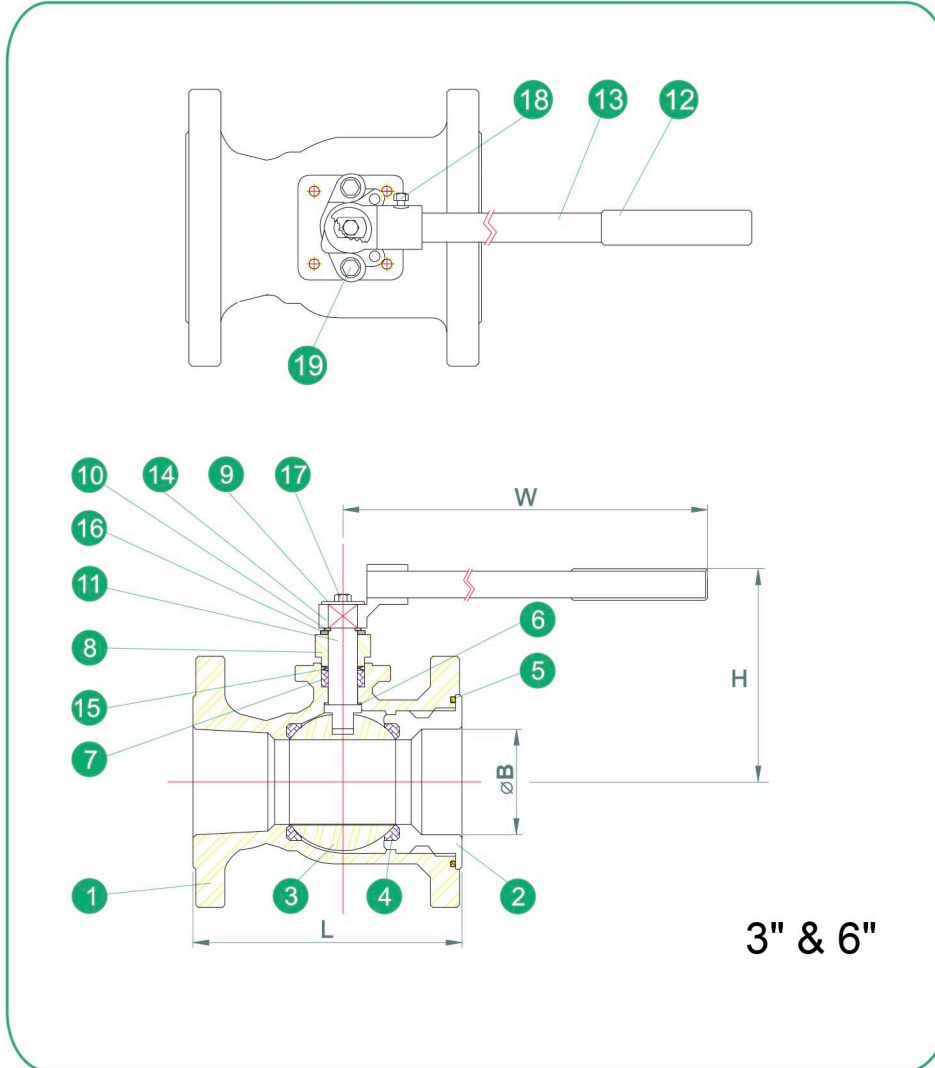
SIZE	ØB	L	H	W	WEIGHT (LBS)	TORQUE (IN-LBS)	FLANGE ISO 5211
1/2"	0.50	4.25	3.15	5.91	3.70	44	F03
3/4"	0.62	4.61	3.31	6.30	4.40	71	F03
1"	0.79	5.00	3.43	6.30	6.00	87	F03
1-1/2"	1.25	6.50	4.02	7.48	11.00	130	F04
2"	1.50	7.01	4.69	7.48	18.00	270	F05
3"	2.52	7.99	6.14	19.69	39.00	400	F07
4"	3.15	9.02	6.61	19.69	54.00	720	F07
6"	4.50	15.87	10.40	29.62	90.00	1800	F10

PRESSURE-TEMPERATURE CHART



BALL VALVES

1 PC UNIBODY BALL FLANGED VALVE ANSI CLASS 150 #



3" & 6"

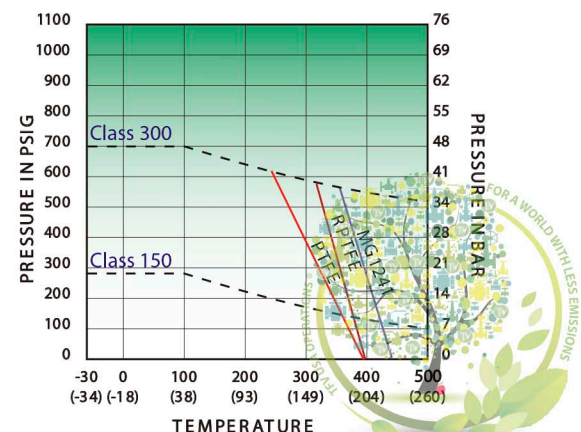
MATERIAL LIST

No.	PART NAME	MATERIAL	
1	BODY	WCB	CF8M
2	END CAP	WCB	CF8M
3	BALL	SS 316	
4	BALL SEAT	PTFE	
5	BODY SEAL	PTFE	
6	STEM SEAL	PTFE	
7	STEM PACKING	PTFE	
8	STEM NUT	CF8M	
8*	GLAND FLANGE	CF8M	
9	WASHER	SS 304	
10	HANDLE NUT	SS 304	
10*	RETAINING RING	SS 304	
11	STEM	S 316	SS 304
12	GRIP	VINIL	
13	HANDLE	SS 316	CARBON STEEL
14	STOP PIN	CF8M	
14*	BOSS	CF8	
15	BELLEVILLE WASHER	SS 304	
16*	STOPPER	SS 304	
17*	BOLT	SS 304	
18*	BOLT	SS 304	
19*	GLAND BOLT	SS 304	

DIMENSION (INCHES)

SIZE	ØB	L	H	W	WEIGHT (LBS)	TORQUE (IN-LBS)	FLANGE ISO 5211
1/2"	0.50	4.25	3.15	5.91	3.70	44	F03
3/4"	0.62	4.61	3.31	6.30	4.40	71	F03
1"	0.79	5.00	3.43	6.30	6.00	87	F03
1-1/2"	1.25	6.50	4.02	7.48	11.00	130	F04
2"	1.50	7.01	4.69	7.48	18.00	270	F05
3"	2.52	7.99	6.14	19.69	39.00	400	F07
4"	3.15	9.02	6.61	19.69	54.00	720	F07
6"	4.50	15.87	10.40	29.62	90.00	1800	F10

PRESSURE-TEMPERATURE CHART





BALL VALVES

1 PC UNIBODY BALL FLANGED VALVE ANSI CLASS 150

HOW TO ORDER

VALVE BODY DESIGN (SERIES)	FEATURES	MATERIAL			ENDS	CLASS	SIZE		OPERATION
		BODY	TRIM	SEAT					
1E Std port 1 pc ball valve	NONE NONE	2 WCB 3 CF8M	3 316SS	P PTFE	F Flanged RF	0 ANSI 150# 3 ANSI 300#	0.5 1/2"	1 1"	L Manual Lever Operator
	F Fire Safe API 607			R R-PTFE					
	O Oxigen Service			C Carbon filled PTFE					

Example

1 Pc Std Port Ball Valve, Body & Trim 316SS, Seats: PTFE, Ends: Flanged ANSI Class 150#, Size 1/2" with Lever and Locking Device.

1E-33P-F00.5C

