

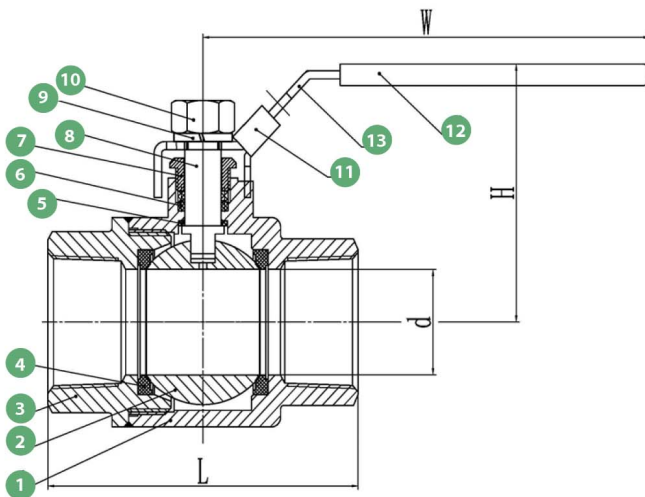
BALL VALVES

SEAL WELDED BALL VALVE 2000 WOG

FEATURES

- Seal Welded Construction
- Full Port and Reduced Port Versions Available
- Available in WCB Carbon Steel with 316SS Trim, or CF8M/316 Stainless
- 2000 WOG Rating on CF8M, 2170 WOG on WCB
- Fully Compliant with ASME B16.34 Class 2000 WOG
- RPTFE Seats and Viton Seals are Standard
- NPT, MxF NPT and Socket Weld Ends Available
- All Models are NACE MR-01-75 Compliant
- All Models are API 607 Fourth Edition Fire Safe
- Fully Compliant with API 608
- Standard ISO Actuator Mounting Pads on all Sizes
- Standard Locking Stainless Steel Handles
- The Ultimate Valve for Safe Extreme Pressure Service!

SEAL WELDED



MATERIAL LIST

No.	PART NAME	MATERIALS
1	BODY	CF8M/WCB
2	BALL	SS304/SS316
3	CAP	CF8M/WCB
4	SEAT	RPTFE
5	TRUST WASHER	RPTFE
6	PACKING	GRAPHITE
7	GLAND	SS304
8	STEM	SS 316
9	SPRING WASHER	SS304
10	NUT	A2-70
11	LOCKING DEVICE	SS201
12	HANDLE COVER	PVC



Dimensions(in)

NPS	RART#	d	L	H	W	TORQUE (in·lb)
1/4	CS02R20W	0.4528	2.4606	2.1535	3.8976	36.02
3/8	CS03R20W	0.4921	2.4606	2.1535	3.8976	36.02
1/2	CS04R20W	0.5906	2.5106	2.2677	4.1732	39.03
3/4	CS05R20W	0.7874	2.9531	2.4724	4.7638	52.04
1	CS06R20W	0.9843	3.5528	2.7953	5.9055	65.05
1-1/4	CS07R20W	1.2598	4.0244	3.0827	5.9055	78.06
1-1/2	CS08R20W	1.4961	4.5571	3.5827	6.4961	116.83
2	CS09R20W	1.9291	5.3150	3.9252	7.0866	143.38



BALL VALVES

SEAL WELDED BALL VALVE 2000 WOG

HOW TO ORDER

CLASS	SERIES		FEATURES	MATERIAL			ENDS	SIZE	OPERATION
	VALVE BODY DESIGN			BODY	TRIM	SEAT			
2	2000 WOG	2W Seal Welded Ball Valve Desing 1 Piece	NONE NONE G Fire Safe API 607+NACE	2 WCB 3 CF8M 4 CF8 5 CF3M	3 316SS 4 304 SS 5 304L SS 6 316L SS	P PTFE R R-PTFE C Carbon Filled PTFE	T Threaded Two different ends to be specify on each order M S Socket Weld	0.25 1/4" 0.38 3/8" 0.5 1/2" 0.75 3/4" 01 1" 01.25 1 1/4" 01.5 1 1/2" 02 2"	L Manual lever Operator C Manual Lever Operator with Locking Device B Bare Shaft L Spring Return Sliding Lock O Oval Handle P Peumatic Actuator E Electric Actuator

Example

Seal Welded Ball Valve, Body & Trim 316SS, Seats: R-PTFE, Ends: Threaded, 1/2" 2000# WOG with Lever and Locking Device

22W33RT0.5C

