

BALL VALVES

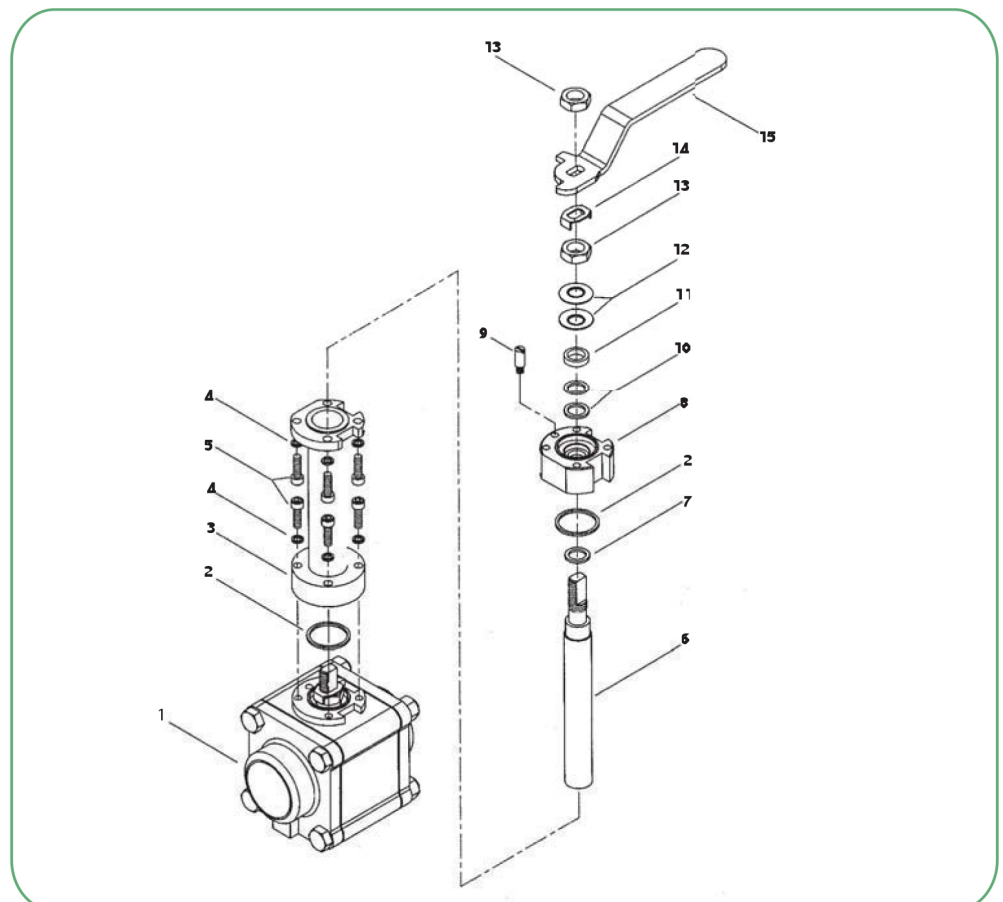
CRYOGENIC 3 PCS BALL VALVE

FEATURES

- EXTENDED BONNET
- ENCAPSULATED SEATS AND SEALS
- OPTIONAL EXTENDED BONNET LENGTHS
- UPSTREAM RELIEF, VENTED BALL
- ISO MOUNTING PAD
- LOCKING HANDLE
- NPT, BW, SW, FLANGE
- **COMPLY WITH API 608**

MATERIAL LIST

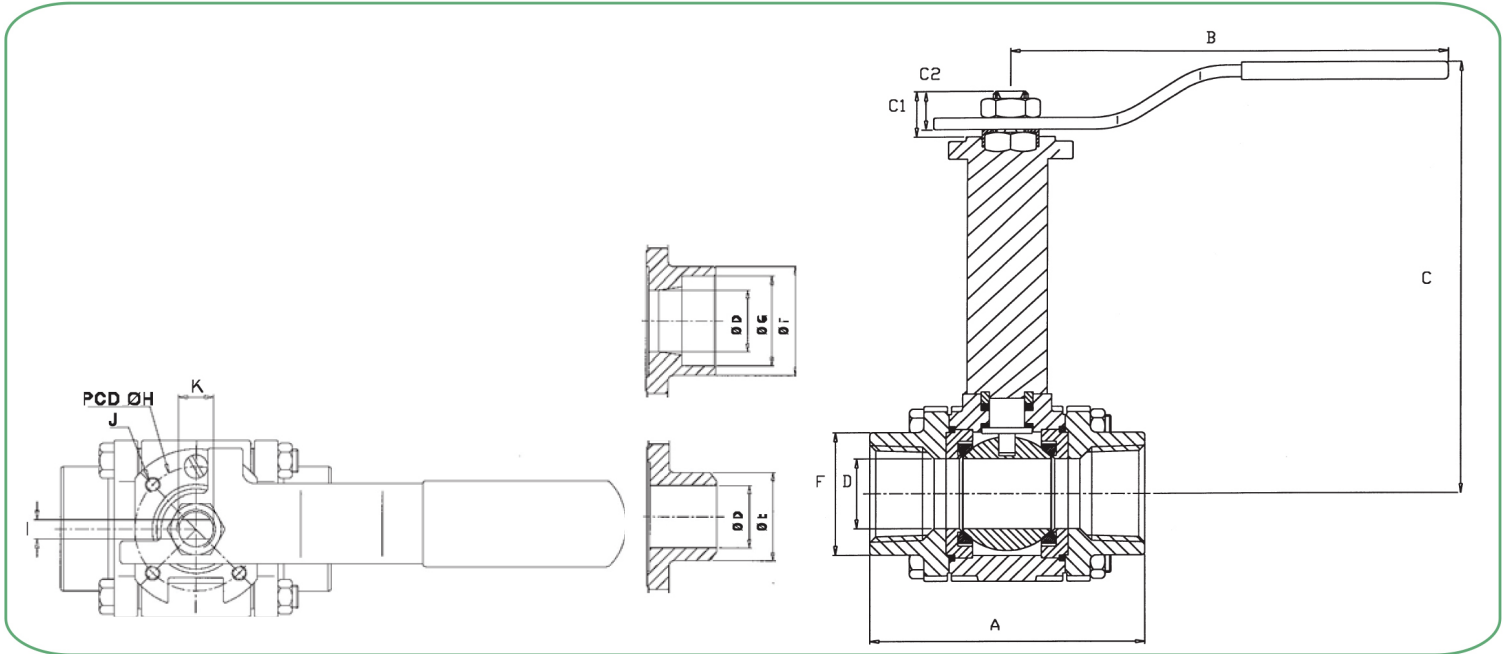
	Parts/Material	Stainless Steel
1	Body	316 SS
	End Cap (2)	316 L
	Retainer (2)	316 SS
	Ball	316 SS
	Stem	316 SS
	Ball Seat (2)	CTFE Hostaflon PCTFE TFE
	Body Seal (2)	TFE
2	Bonnet Gasket (2)	TFE
3	Outer Casing	316 L
4	Lock Washers (8)	304 SS
5	Bonnet Bolts (8)	304 SS
6	Cryogenic Stem	316 SS
7	Thrust Washer	CTFE
8	Stem Body	316 SS
9	Stop Pin	304 SS
10	Packing (2)	CTFE
11	Gland Ring	304 SS
12	Disc Spring (2)	304 SS
13	Stem Nut (2)	304 SS
14	Lock Tab	304 SS
15	Handle	304 SS



BALL VALVES

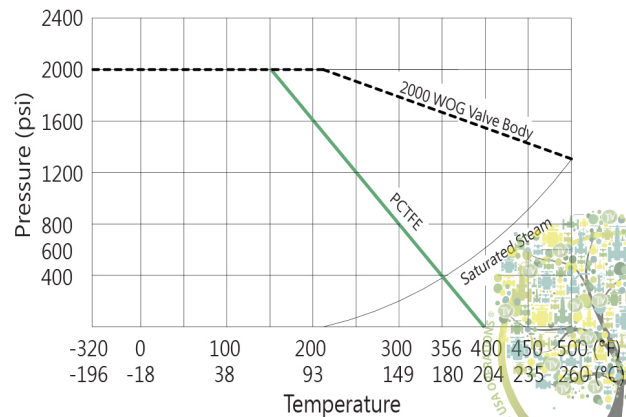
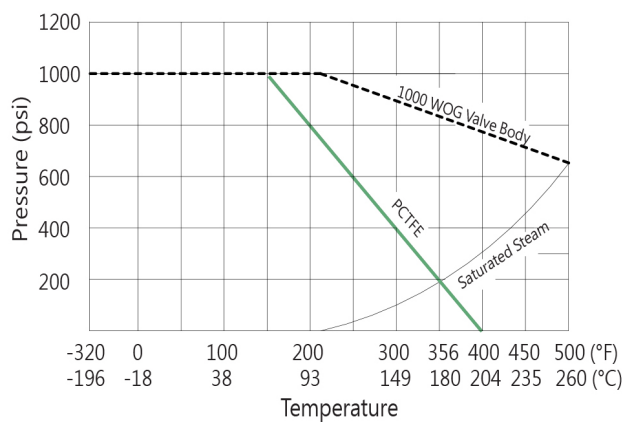
CRYOGENIC 3 PCS BALL VALVE

DIMENSION (INCHES)



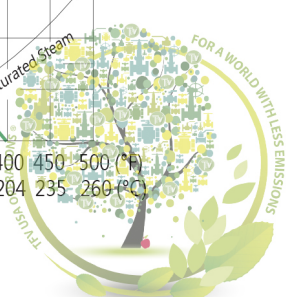
NPS	A	B	C	C1	C2	D	E	F	G	H	I	J	K	ISO 521	LB S.	CV	TORQUE (IN.-LB)
1/2"	2.95	4.50	8.84	0.48	0.346	0.50	0.87	1.10	0.87	1.42	0.22	M5	3/8"-24 UNF	F 03	3	5	90
3/4"	3.15	4.50	8.85	0.55	0.362	0.75	1.10	1.38	1.08	1.42	0.22	M5	7/16"-24 UNF	F 03	3.5	21	135
1"	3.66	5.75	9.20	0.60	0.535	1.00	1.34	1.77	1.36	1.65	0.30	M5	7/16"-24 UNF	F04	5.5	44	225
1-1/4"	4.33	5.75	9.40	0.61	0.555	1.25	1.61	2.13	1.69	1.65	0.30	M5	7/16"-24 UNF	F 04	7.5	64	320
1-1/2"	4.72	7.00	11.32	1.07	0.672	1.50	1.93	2.44	1.93	1.97	0.34	M6	9/16"-18 UNF	F05	10.5	87	360
2"	5.51	7.00	11.65	1.10	0.757	2.00	2.40	2.99	2.41	1.97	0.34	M6	9/16"-18 UNF	F 05	16.5	210	450
2-1/2"	7.25	8.84	17.98	1.65	0.590	2.50	2.91	3.62	2.91	2.78	0.55	M10	M20*2.5	F 10	23	277	560
3"	8.03	13.74	19.98	1.81	0.610	3.00	3.54	4.09	3.54	4.02	0.75	M10	1"-14 UNF	F 10	39	482	750
4"	9.45	13.74	20.50	1.83	0.640	4.00	4.53	5.67	4.55	4.02	0.75	M10	1"-14 UNF	F 10	59	1001	1195

PRESSURE-TEMPERATURE CHART



----- Body Pressure

————— PCTFE





BALL VALVES

CRYOGENIC 3 PCS BALL VALVE

HOW TO ORDER

CLASS	SERIES		MATERIAL			ENDS	SIZE		OPERATION		
	VALVE BODY DESIGN	BODY	TRIM	SEAT							
2 2000 WOG	3CF Full Port 3 Pcs Ball Valve	1 Bronze/Brass	1 Bronze/Brass	P PTFE	T Threaded Two different ends to be specify on each order M MG1241 Y Criogenic Service S Socket Weld B Butt Weld	0.5 1/2"	1/2"	L Manual lever Operator			
		2 WCB	3 316SS	M MG1241						0.75 3/4"	C Manual Lever with Locking Device
		3 CF8M	5 316L	Y Criogenic Service						01 1"	B Bare Shaft
		5 CF3M								01.25 1 1/4"	SR Spring Return Sliding lock
						01.5 1 1/2"		O Oval Handle			
						02 2"		X Economical stem extention			
								P Peumatic Actuator			
								E Electric Actuator			

Example

Full Port Ball Valve, Body & Trim 316SS, Seats: MG1241, Cryogenic Service, Ends: Threaded, 1/2" 2000# WOG, Manual Lever with Locking Device

23CF33MT0.5C

