

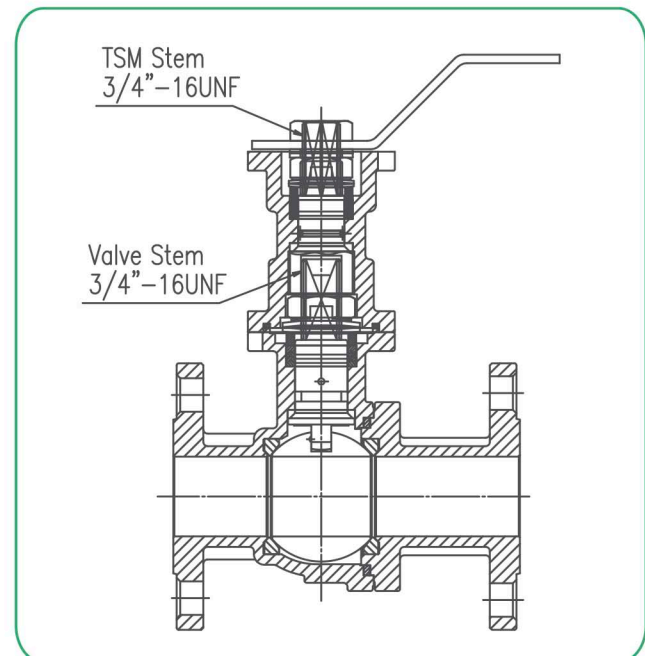
BALL VALVES

DIRECT MOUNTED FUGITIVE EMISSIONS FLANGED 150-300# BALL VALVE

FEATURES

1. DESIGNED FOR "TA-LUFT" AND CLEAN AIR ACT
2. SECONDARY STEM SEAL
 - PROLONGS VALVE SERVICE LIFE AND PROVIDES A SAFE AND CLEAN ENVIRONMENT.
3. STEM EXTENSION FOR INSULATION
4. MONITORING DEVICE FOR POSSIBLE FUGITIVE EMISSION
5. DIRECT MOUNTING 3 PCS BALL VALVE
 - EXTENDED ACTUATOR MOUNTING PAD ACCORDING TO ISO 5211.
 - WITH A SQUARE STEM.
 - BEST OF ALL, EASY MATED TO PNEUMATIC AND ELECTRIC ACTUATORS. EXCELENT FOR AUTOMATED SERVICE IN THE PROCESS INDUSTRY.
 - NO BRACKETS AND ADAPTORS ARE REQUIRED. TIME AND LABOR SAVING, PROVIDES EASY AND LOW COST AUTOMATION.
6. THREE PIECE DESIGN
 - FAST AND SIMPLE IN LINE MAINTENANCE, SEATS, SEALS, AND BALL CAN BE REPLACED QUICKLY AND EASILY WITHOUT DISTURBING PIPE ALIGNMENT.
7. MAINTENANCE FREE DOUBLE SEALING HIGH CYCLE STEM
 - PROVIDES TIGHT SHUT OFF SEALING
 - SELF - ADJUSTING STEM PACKING SYSTEM WITH BELLEVILLE WASHERS, AUTOMATICALLY ADJUST FOR WEAR. TEMPERATURE, AND PRESSURE FLUCTUATIONS.
 - V CHEVRON PACKING IMPROVES SEAL AND REDUCES OPERATING TORQUE.
8. FULL PORT CONSTRUCTION
 - ASSURES FULL UNOBSTRUCTED FLOW, ELIMINATES TRAP AREAS, AND REDUCES PRESSURE DROP.
9. BOTTOM ENTRY BLOW-OUT PROOF STEM
 - PREVETS STEM FROM BLOWING OUT, PROVIDES MAXIMUM SAFETY.
10. RELIEF SOLTS IN THE BALL SEAT
 - ASSIST IN DOWN STREAM SEALING REDUCING SEAT WEAR AND OPERATING TORQUE.
11. ANTI - STATIC DEVICE
 - AN INTERNAL ANTI - STATIC DESIGN IS STANDARD
12. "V" PORT DESIGN AVAILABLE
13. OPTIONS : NACE MR - 0175
14. APROVALS: FIRE SAFE AS PER API 607 REV 4, CE 0035 PED/97/23/EC Category III Module H, TA-Luft, EX II GD ATEX 94/9/EC
15. MATERIAL AVAILABLE:
 - VALVE: SS 316L, TITANIUM, DUPLEX, HASTELLOY C... ETC
 - SEATS: PTFE, RPTFE, TFM 1600, CARBON FILLED PTFE 50/50 SS FILLED PTFE, UHMWPE, PEEK, DELRIN, METAL ... ETC
16. COMPLY WITH API 608

Series 23FE

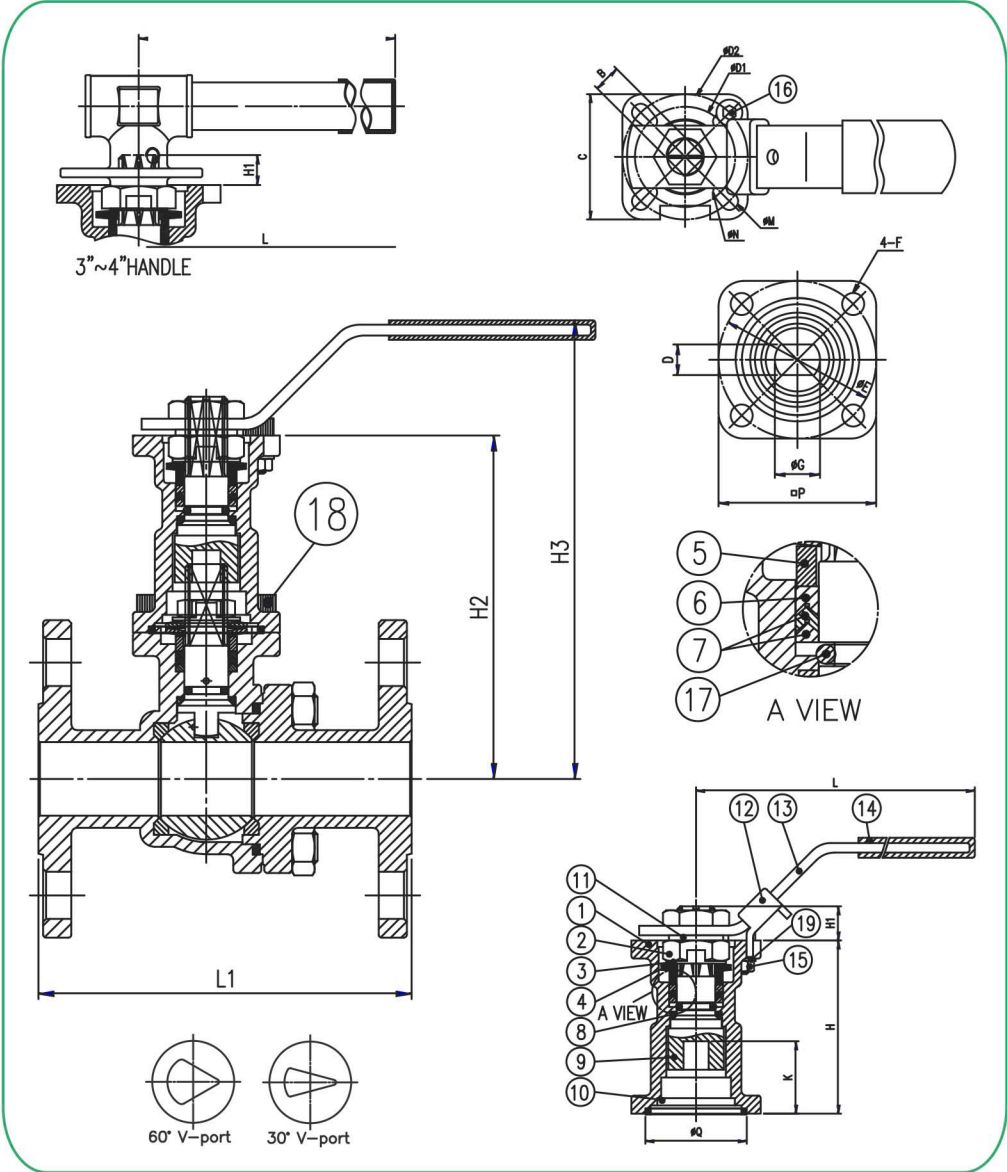


BALL VALVES

DIRECT MOUNTED FUGITIVE EMISSIONS FLANGED 150-300# BALL VALVE

TSM (EMISSION LEAKAGE CONTROL UNIT)

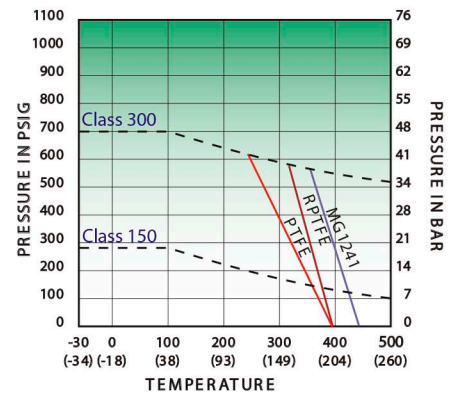
- T: FUGITIVE EMISSION CONTROL UNIT
- S: STEM EXTENSION
- M: MOUNTING KITS



MATERIAL LIST

No.	PART NAME	MATERIAL
1	BODY	CF8M
2	STEM NUT	SS304
3	STOP WASHER	SS304
4	BELLEVILLE WASHER	SS301
5	GLAND BUSH	SS304
6	GLAND PACKING	25% GF R-PTFE
7	GLAND PACKING	PTFE
8	STEM SEAL	PTFE / RPTFE
9	STEM	SS316
10	JOINT GASKET	PTFE
11	STEM WASHER	SS304
12	LOCKING DEVICE	SS304
13	HANDLE	SS304
14	HANDLE SLEEVE	VINYL
15	PIN NUT	SS304
16	STOP PIN	SS 304
17	O-RING	VITON
18	BOLT	SS304
19	STOP PIN WASHER	SS304

PRESSURE-TEMPERATURE CHART



DIMENSION (INCHES)

SIZE	C	D	ØE	F	G	H	H1	H2	H3	K	L	L1		P	ØQ	WEIGHT		TORQUE (IN-LBS)	CV	ISO 5211 (mm)					
												150#	300#			(Lb) 150#	(Lb) 300#			B	ØD1	ØD2	ØM	ØN	FLANGE
1/2"	1.65	0.31	1.65	0.24	0.44	2.47	0.24	3.83	5.41	0.98	7.28	4.25	5.50	1.65	1.19	3.98	5.83	92	28	0.35	36	42	6	6	F03/F04
3/4"	1.65	0.31	1.65	0.24	0.44	2.47	0.24	4.12	5.71	0.98	7.28	4.62	6.00	1.65	1.19	4.82	9.86	127	50	0.35	36	42	6	6	F03/F04
1"	1.97	0.38	1.97	0.28	0.56	2.64	0.43	4.60	6.13	1.10	8.35	5.00	6.50	1.97	1.54	6.40	12.65	150	95	0.43	42	50	7	6	F04/F05
1-1/4"	1.97	0.38	1.97	0.28	0.56	2.64	0.43	4.80	6.33	1.10	8.35	5.50	7.00	1.97	1.54	8.71	-	207	132	0.43	42	50	7	6	F04/F05
1-1/2"	2.83	0.47	2.76	0.35	0.76	3.39	0.55	6.47	8.37	1.44	10.35	6.50	7.50	2.76	2.17	14.08	25.41	311	260	0.55	50	70	9	7.5	F05/F07
2"	2.83	0.47	2.76	0.35	0.76	3.39	0.55	6.79	8.69	1.44	10.35	7.00	8.50	2.76	2.17	20.22	31.77	369	485	0.55	50	70	9	7.5	F05/F07
2-1/2"	2.83	0.47	2.76	0.35	0.76	3.39	0.55	7.22	9.12	1.44	10.35	7.50	9.50	2.76	2.17	31.46	49.87	518	800	0.55	50	70	9	7.5	F05/F07
3"	3.62	0.59	4.02	0.47	0.94	4.13	0.66	8.36	10.73	1.90	14.57	8.00	11.12	3.62	2.76	42.90	69.56	829	1250	0.67	70	102	12	10	F07/F10
4"	3.62	0.59	4.02	0.47	0.94	4.13	0.66	8.95	11.32	1.90	14.57	9.00	12.00	3.62	2.76	68.20	111.83	1267	2250	0.67	70	102	12	10	F07/F10



BALL VALVES

DIRECT MOUNTED FUGITIVE EMISSIONS FLANGED 150-300# BALL VALVE

HOW TO ORDER

VALVE BODY DESIGN (SERIES)	FEATURES		MATERIAL			ENDS	CLASS	SIZE		OPERATION	
			BODY	TRIM	SEAT						
2FE Fugitive Emissions Full Port 2 Pcs Floating Ball Valve	NONE F O	NONE	2 WCB	3 316SS	P PTFE	F Flanged RF	0 ANSI 150# 3 ANSI 300#	0.5	1/2"	L C B P E	Manual Lever Operator Manual Lever and Locking Device Bare Shaft Pneumatic Actuator Electric Actuator
		NONE	3 CF8M	R R-PTFE	0.75			3/4"			
		Fire Safe API 607		C Carbon Filled PTFE	01			1"			
		Oxygen Service		K PEEK	01.25			1 1/4"			
					01.5			1 1/2"			
					02			2"			
			02.5	2 1/2"							
			03	3"							
			04	4"							

Example

Full Port Ball Valve Lived Loaded Design, Fugitive Emissions Service, Body & Trim 316SS, Seats: R-PTFE
Ends: Flanged, ANSI Class 150#, Size 2" with Lever.

2FE-33R-F002L

