

BALL VALVES

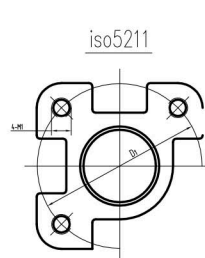
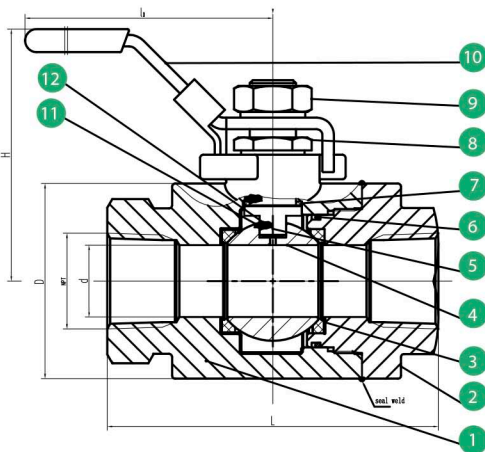
SEAL WELDED EXTREME PRESSURE BALL VALVE

FEATURES

- Seal Welded Construction
- Full Port and Reduced Port Versions Available
- Available in WCB Carbon Steel with 316SS Trim, or CF8M/316 Stainless
- 6000WOG Rating on CF8M, 6170WOG on WCB
- Fully Compliant with ASME B16.34 Class 2500
- PEEK Seats and Viton Seals are Standard
- NPT, MxF NPT and Socket Weld Ends Available
- All Models are NACE MR-01-75 Compliant
- All Models are API 607 Fourth Edition Fire Safe
- Fully Compliant with API 608
- Standard ISO Actuator Mounting Pads on all Sizes
- Standard Locking Stainless Steel Handles
- The Ultimate Valve for Safe Extreme Pressure Service!

RATINGS

6000 PSIG @ 100F WATER, OIL, GAS (CF8M)
6170 PSIG @ 100F WATER, OIL, GAS (WCB)
250 PSIG SATURATED STEAM (PEEK SEATS)

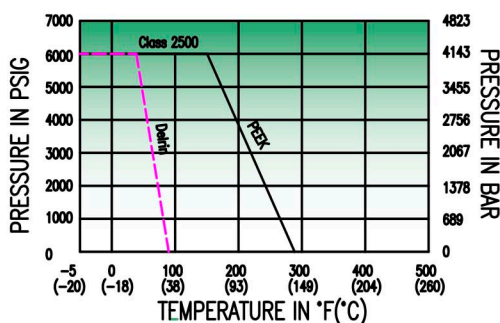


MATERIAL LIST

No.	PART NAME	MATERIALS
1	BODY	CF8M/WCB
2	CAP	CF8M/WCB
3	SEAT	PEEK
4	BALL	SS 316
5	STEM	SS 316
6	O-RING	VITON
7	TRUST BEARING	CPTFE
8	PACKING BUSHING	SS 316
9	NUTS	A2 - 70
10	LEVER	STEEL
11	ANTI-STATIC BALL	A276 304
12	SPRING	SS 316

PRESSURE-TEMPERATURE CHART

for Valve 1/2"(DN15) to 2"(DN50)



DIMENSION (INCHES)

SIZE	d	D	L	D1	H	Torque (LB-IN)	Weight (LBS)
1/2"FP	13	43	102	37	56	140	1.7
3/4"FP	18	55	109	43	69	270	3.5
1"FP	25	68	116	50	87	700	6.8
1 1/2"FP	38	94	134	71	114	1200	15.7
2"RP	48	114	161	70	132	1200	16.0



BALL VALVES

SEAL WELDED EXTREME PRESSURE BALL VALVE

HOW TO ORDER

CLASS	SERIES		FEATURES	MATERIAL			ENDS	SIZE	OPERATION		
	VALVE BODY DESIGN			BODY	TRIM	SEAT					
4	6000 WOG	2W Seal Welded Ball Valve Desing 1 Piece	NONE NONE G Fire Safe API 607+NACE	2	WCB	3	316SS	P PTFE	T Threaded	0.25 1/4" 0.38 3/8" 0.5 1/2" 0.75 3/4" 01 1" 01.25 1 1/4" 01.5 1 1/2" 02 2"	L Manual lever Operator C Manual Lever Operator with Locking Device B Bare Shaft L Spring Return Sliding Lock O Oval Handle P Peumatic Actuator E Electric Actuator
				3	CF8M	4	304 SS	R R-PTFE	M Two different ends to be specify on each order S Socket Weld		
				4	CF8	5	316L SS	C Carbon Filled PTFE			
				5	CF3M	6	304L SS	P PEEK			

Example

Seal Welded Ball Valve, Body & Trim 316SS, Seats: R-PTFE, Ends: Threaded, 1/2" 6000# WOG with Lever and Locking Device.

42W33RT0.5C

