

BALL VALVES

3 WAYS BALL VALVE WITH ISO 5211 MOUNTING PAD

FEATURES

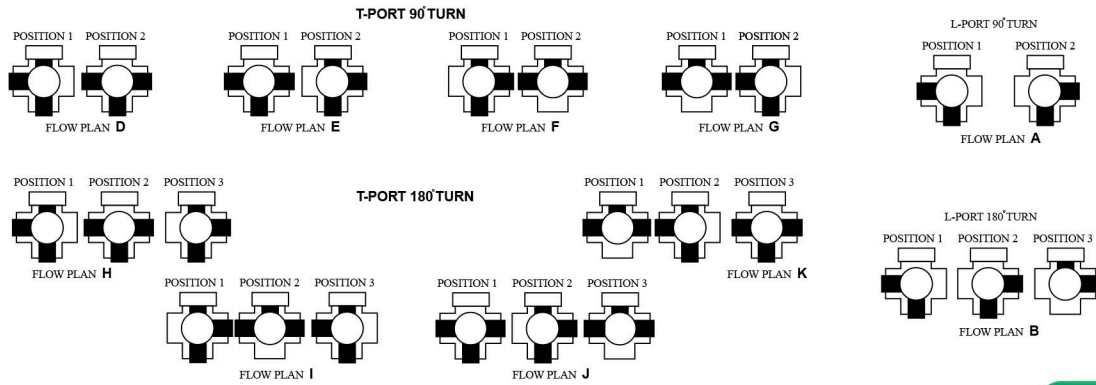
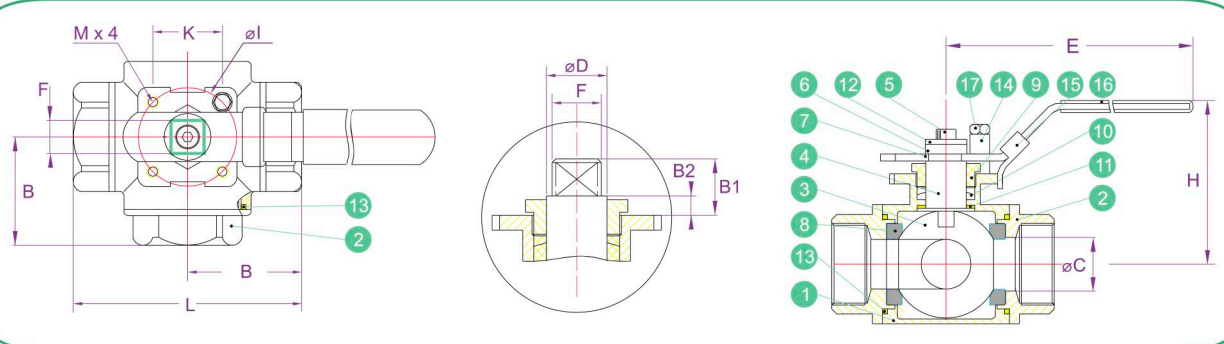
- ISO 5211 MOUNTING PAD
- COST EFFICIENT. One valve can replace two or more valves, reduces the number of valves in piping system
- LOCKING DEVICE
- PTFE WITH 15% GLASS FIBER SETS
- FOUR SEATS DESIGN
- THREE END CAPS DESIGN
- "L" PORT / "T" PORT
- ADJUSTABLE STEM PACKING
- BLOW-OUT PROOF STEM
- INVESTMENT CAST BODY CONSTRUCTION
- 1000 PSI (69 BAR) WOG
- THREADED ANSI B2.1
- MANUFACTURED IN ISO 9001 APPROVED FACILITY

Series 13WL, 13WT & 13WX



MATERIAL LIST

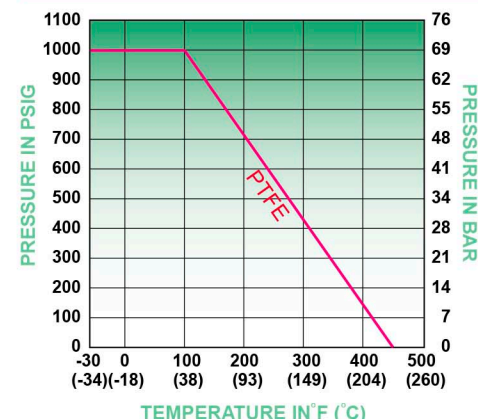
No.	PART NAME	MATERIAL
1	BODY	CF8M
2	END CAP	CF8M
3	BALL	SS 316
4	STEM	SS 316
5	STEM NUT	SS 304
6	STEM SPACER	SS 304
7	HANDLE	SS 304
8	SEAT	PTFE
9	GLAND NUT	SS 304
10	STEM PACKING	PTFE
11	THRUST WASHER	PTFE
12	STEM DISC	SS 304
13	JOIN GASKET	PTFE
14	CYLINDRICAL SPACER	SS 304
15	LOCKING DEVICE	SS 304
16	HANDLE SLEEVE	VINYL
17	STOP BOLT	SS 304



DIMENSION (INCHES)

SIZE	B	B1	B2	C	øD	E	H	L	WEIGHT (Lb)	TORQUE (In-Lb)	ISO 5211 (mm)				
											FLANGE	F	øI	øK	M
1/4"	1.34	0.43	0.24	0.43	0.47	4.17	2.28	2.68	1.32	49	F04	9	42	29.7	M5
3/8"	1.34	0.43	0.24	0.43	0.47	4.17	2.28	2.68	1.32	49	F04	9	42	29.7	M5
1/2"	1.48	0.43	0.24	0.50	0.47	5.43	2.40	2.95	1.54	62	F04	9	42	29.7	M5
3/4"	1.69	0.51	0.24	0.63	0.59	5.43	2.91	3.39	2.42	75	F05	11	50	35.4	M6
1"	2.03	0.75	0.30	0.79	0.59	6.38	3.19	4.06	3.85	160	F05	11	50	35.4	M6
1-1/4"	2.26	0.91	0.30	0.98	0.59	6.38	3.46	4.53	5.32	310	F05	11	50	35.4	M6
1-1/2"	2.46	0.93	0.33	1.26	0.59	8.66	4.09	4.92	7.48	380	F07	11	70	49.5	M8
2"	2.87	0.96	0.33	1.50	0.73	8.66	4.33	5.75	11.99	450	F07	14	70	49.5	M8
2-1/2"	3.15	0.96	0.33	1.97	0.71	10.43	5.20	6.30	14.59	1100	F07	14	70	49.5	M8
3"	3.64	1.14	0.35	2.56	0.83	10.43	5.20	7.28	23.19	1728	F10	17	102	72.1	M10

PRESSURE-TEMPERATURE CHART





BALL VALVES

3 WAYS BALL VALVE WITH ISO 5211 MOUNTING PAD

HOW TO ORDER

CLASS	SERIES		FEATURES		MATERIAL			ENDS	SIZE	OPERATION						
	VALVE BODY DESIGN				BODY	TRIM	SEAT									
1 1000 WOG	3WL	Full Port 3 Ways Ball Valve Port "L"	NONE	NONE Oxygen Service ⁽¹⁾	2	WCB	3	316SS	P	PTFE	T	Threaded	0.25	1/4"	L	Manual Lever Operator
					3	CF8M			R	R-PTFE			0.38	3/8"		
	3WT	Full Port 3 Ways Ball Valve Port "T"			O	Carbon Filled PTFE	C	Carbon Filled PTFE	0.5	1/2"			C	Manual Lever with Locking Device		
									0.75	3/4"						
3WX	Full Port 3 Ways Ball Valve Port "X"					01	1"	B	Bare Shaft							
						01.25	1 1/4"									
						01.5	1 1/2"									
						02	2"	P	Pneumatic Actuator							
						02.5	2 1/2"	E	Electric Actuator							
						03	3"									

Example

3 Ways Full Port Ball Port "L" Valve, Body & Trim 316SS, Seats: PTFE, Ends: Threaded, 2" 1000# WOG with Lever.

13WL33PT02L

NOTES

(1) Available for stainless steel valves only

