

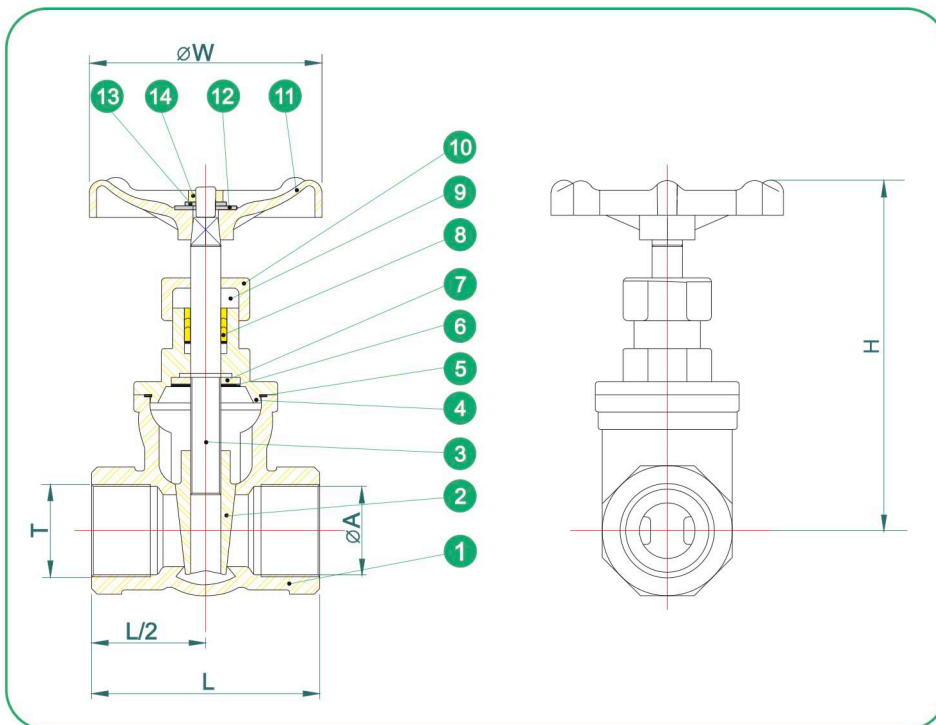
GATE VALVES

GATE VALVE 200 WOG



FEATURES

- INVESTMENT CAST COMPONENTS
- INSIDE SCREW NON-RISING STEM DESIGN
- SCREWED BONNET, SOLID WEDGE DISC DESIGN
- FOR FOOD, GENERAL CHEMICAL AND INDUSTRIAL APPLICATION
- ASTM ASME B16.34 API 598 EN 10213 EN 12516 EN 12266
ANSI B1.20.1 (NPT) ISO 228-1 DIN 2999 BS21 (BSPT) ISO 7-1
- END CONNECTION: THREADED ENDS / SW ENDS
- WORKING PRESSURE: 200 PSI / 16 BAR (CWP)
- TEMPERATURE RANGE: -4 TO 356 °F (-20 TO 180°C)
- PRESSURE TEST ACCORDING TO API 598 OR EN 12266



MATERIAL LIST

No.	PART NUMBER	MATERIAL
1	BODY	CF8M
2	DISC	SS316
3	STEM	SS316
4	BONNET	CF8M
5	GASKET PACKING	PTFE
6	STOP RING	SS304
7	STEM HOLDER	SS316
8	STEM PACKING	PTFE
9	GLAND	SS304
10	GLAND NUT	SS316
11	HANDLE WHEEL	MICO STEEL
12	NAME PLATE	ALUMINIUM
13	HANDLE WHEEL WASHER	SS304
14	HANDLE WHEEL NUT	SS304

DIMENSION (INCHES)

SIZE	ϕA	L	H	ϕW	T	W (LBS)
1/2"	0.59	2.17	3.74	2.76	1/2"- NPT.PF	0.92
3/4"	0.79	2.36	4.02	2.76	3/4"-NPT.PF	1.17
1"	0.98	2.56	4.53	3.15	1"- NPT.PF	1.54
1 1/4"	1.26	2.95	5.00	3.15	1 1/4" NPT.PF	2.42
1 1/2"	1.50	3.35	5.91	3.54	1 1/2"-NPT.PF	3.30
2"	1.97	3.74	6.69	3.94	2"-NPT.PF	4.62



GATE VALVES

tfv usaoperation

contact@tfvusao.com
www.tfvusao.com

Call free from USA and CANADA

t: 1-866-TFV-USA0 (838-8726)

GATE VALVE 200 WOG

HOW TO ORDER

CLASS	VALVE BODY DESIGN	MATERIAL			ENDS	SIZE
		BODY	TRIM	SEAT		
NONE 200# WOG	5 GATE NON RISING STEM	3 CF8M	3 316SS	3 CF8M	T THREADED	0.5 1/2"
						0.75 3/4"
						1 1"
						01.25 1 1/4"
						01.5 1 1/2"
						02 2"
					S SOCKET WELD	

Example

Gate Valve, Body ASTM A351 Gr CF8M & Disc 316SS, Metal to Metal Seat, Threaded 200# WOG, Size 2".

5333T02

