

# GATE VALVES

## CAST IRON GATE VALVE



### FEATURES

- Inside Screw
- Non-Rising Stem
- Solid Wedge Disc
- Bronze Trimmed
- Flanged Ends
- Conforms to Specifications of MSS-SP-70

### MATERIAL LIST

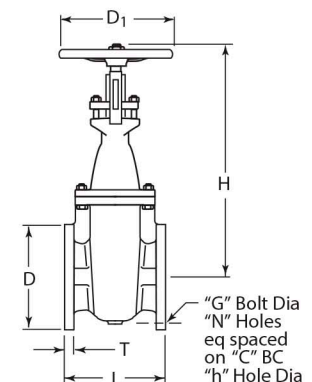
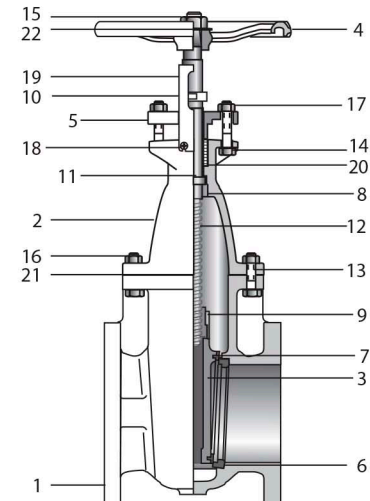
| Item | Description     | Material             | Specification            |
|------|-----------------|----------------------|--------------------------|
| 1    | Body            | Cast iron            | ASTM A126 Class B        |
| 2    | Bonnet          | Cast iron            | ASTM A126 Class B        |
| 3    | Disc            | Cast iron            | ASTM A126 Class B        |
| 4    | Handwheel       | Ductile iron         | ASTM A536 Grade 65-45-12 |
| 5    | Gland           | Forged brass         | ASTM A536 Grade 60-40-18 |
| 6    | Body seat ring  | Cast bronze          | ASTM B62-C83600          |
| 7    | Disc seat ring  | Cast bronze          | ASTM B62-C83600          |
| 8    | Bonnet bush     | Cast bronze          | ASTM B62-C83600          |
| 9    | Stem nut        | Cast bronze          | ASTM B62-C83600          |
| 10   | Indicator       |                      | ASTM B62-C83600          |
| 11   | Thrust washer   | Forged brass         | ASTM B124-C37700         |
| 12   | Stem            | Forged brass         | ASTM B124-C37700         |
| 13   | Bonnet bolt     | Steel                | ASTM A307 Grade B        |
| 14   | Gland bolt      | Steel                | ASTM A307 Grade B        |
| 15   | Wheel nut       | Steel                | ASTM A307 Grade B        |
| 16   | Bonnet bolt nut | Steel                | ASTM A307 Grade B        |
| 17   | Gland bolt nut  | Steel                | ASTM A307 Grade B        |
| 18   | Set screw       | Steel                | ASTM A307 Grade B        |
| 19   | Indicator plate | Aluminum plate       | ASTM B209-1100           |
| 20   | Gland packing   | Non-asbestos packing |                          |
| 21   | Gasket          | Non-asbestos sheet   |                          |
| 22   | Name plate      | Aluminum plate       | ASTM B209-1100           |

### WORKING PRESSURE

| Working Pressure Non-Shock (psi) |                      | Test Pressure (psi) |            |
|----------------------------------|----------------------|---------------------|------------|
| Saturated Steam                  | Cold Water, Oil, Gas | Shell (Air)         | Seat (Air) |
| 125                              | 200                  | 350                 | 200        |

### DIMENSION (INCHES)

| SIZE           | 2     | 2-1/2 | 3     | 4     | 5     | 6     | 8     | 10    | 12    | 14    |
|----------------|-------|-------|-------|-------|-------|-------|-------|-------|-------|-------|
| L              | 7.00  | 7.50  | 8.00  | 9.00  | 10.00 | 10.50 | 11.50 | 13.00 | 14.00 | 15.00 |
| H              | 12.60 | 13.80 | 15.80 | 18.00 | 20.60 | 23.70 | 28.00 | 33.10 | 37.00 | -     |
| D <sub>1</sub> | 7.10  | 7.10  | 7.90  | 9.80  | 11.0  | 11.80 | 14.20 | 15.70 | 17.70 | -     |
| D              | 6.00  | 7.00  | 7.50  | 9.00  | 10.00 | 11.00 | 13.50 | 16.00 | 19.00 | 21.00 |
| C              | 4.75  | 5.50  | 6.00  | 7.50  | 8.50  | 9.50  | 11.75 | 14.25 | 17.00 | 18.75 |
| T              | 0.62  | 0.69  | 0.75  | 0.94  | 0.94  | 1.00  | 1.12  | 1.19  | 1.25  | 1.38  |
| N              | 4.00  | 4.00  | 4.00  | 8.00  | 8.00  | 8.00  | 8.00  | 12.00 | 12.00 | 12.00 |
| h              | 0.75  | 0.75  | 0.75  | 0.75  | 0.88  | 0.88  | 0.88  | 1.00  | 1.00  | 1.12  |
| G              | 0.62  | 0.62  | 0.62  | 0.62  | 0.75  | 0.75  | 0.75  | 0.88  | 0.88  | 1.00  |
| Wt.            | 33    | 45    | 58    | 93    | 127   | 175   | 273   | 420   | 592   | 768   |



#### Notes:

1. Face to face dimensions for flanged gate valves conform to ANSI B16.10.
2. End flange dimensions and drilling conform to ANSI B16.1.  
End flanges are fully flat faced and smooth finished on the joint side in accordance with MSS-SP-6.
3. Pressure-temperature ratings conform to those specified in MSS-SP-70.
4. Disc seat rings in all sizes are pressed into discs.
5. Body seat rings in all sizes are threaded.
6. For sizes 4" and larger, by-pass bosses are provided at A, B, E & F positions in accordance with MSS-SP-45.
7. For sizes 10"-14" stem nut is bushing style.



# GATE VALVES

## CAST IRON GATE VALVE

### HOW TO ORDER

| VALVE TYPE                           |                 |                   |              | MATERIAL     |                                  | ENDS         | CLASS       | SIZE        | OPERATION   |                      |
|--------------------------------------|-----------------|-------------------|--------------|--------------|----------------------------------|--------------|-------------|-------------|-------------|----------------------|
| Valve Body Design (series)           | Bonnet Design   | Wedge/Disc Design | FEATURES     | BODY         | TRIM (Stem/wedge/seat Ring)      |              |             |             |             |                      |
| 57<br>Gate Valve NRS<br>Low Pressure | B Bolted Bonnet | S Solid Wedge     | NONE NONE    | 60 Cast Iron | 60 Cast Iron                     | L Flanged FF | 7 ANSI 125# | 02 2"       | H Handwheel |                      |
|                                      |                 | F Flexible Wedge  |              |              | 61 Bronze / Brass <sup>(1)</sup> |              |             | 02.5 2 1/2" |             |                      |
|                                      |                 |                   |              |              |                                  |              |             | 03 3"       |             | G Gear Operator      |
|                                      |                 |                   |              |              |                                  |              |             | 04 4"       |             | E Electric Actuator  |
|                                      |                 |                   |              |              |                                  |              |             | 05 5"       |             | P Pneumatic Actuator |
|                                      |                 | 06 6"             | B Bare Shaft |              |                                  |              |             |             |             |                      |
|                                      |                 | 08 8"             |              |              |                                  |              |             |             |             |                      |
|                                      |                 | 10 10"            |              |              |                                  |              |             |             |             |                      |
|                                      |                 | 12 12"            |              |              |                                  |              |             |             |             |                      |
|                                      |                 | 14 14"            |              |              |                                  |              |             |             |             |                      |

Example

Gate Valve Non Rising Stem, Bolted Bonnet, Solid Wedge, Body Cast Iron, Trim Bronze, Flanged ANSI Class 125#, Size 6" with Handwheel.

**57BS-6061-L706H**

(1) To be specify on each proposal and/or PO

