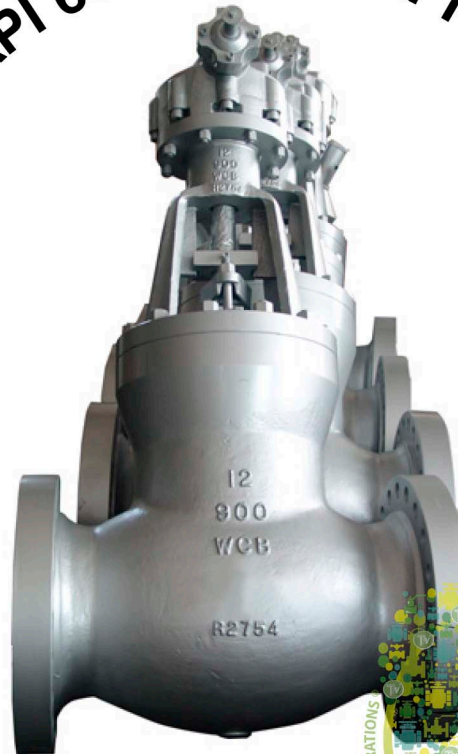


GLOBE VALVES

PRESSURE SEAL GLOBE VALVES

Series 60P (API 600) & 61P (API 603)



FEATURES

- OS&Y
- CAST & STAINLESS STEEL
- SIZES 2" - 16" CLASS 600 - 2500
- BASIC DESIGN ANSI B 16.34
- FACE TO FACE DIMENSION ANSI B16.10
- FLANGE END DIMENSION ANSI 16.5
- BUT - WELD END DIMENSION ANSI B16.25
- INSPECTION & TESTING API 598 / API6D



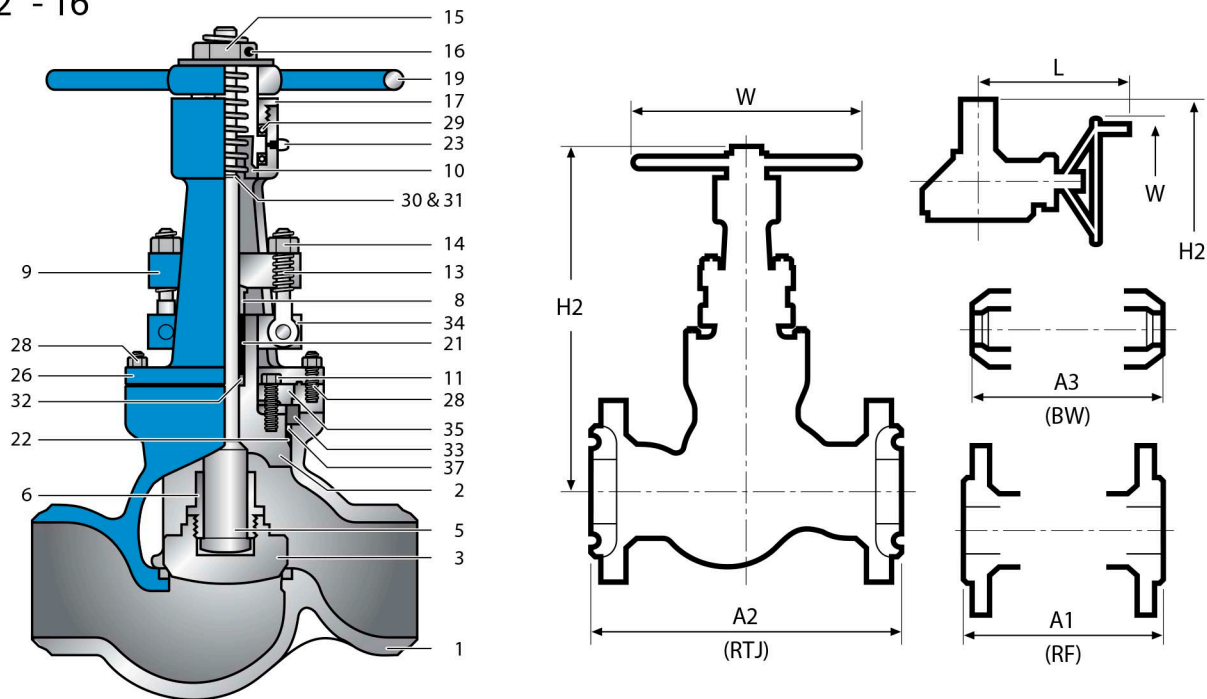
TRIM MATERIAL

Trim No.	Seat ring surface	Disc seat surface	Stem	Backseat bushing
1	F6 (13% CR)	F6 (13% CR)	F6 (13% CR)	F6 (13% CR)
2	F304	F304	F304	F304
5	Stellite 6	Stellite 6	F6 (13% CR)	F6 (13% CR)
6	Cu-Ni	F6 (13% CR)	F6 (13% CR)	F6 (13% CR)
8	Stellite 6	F6 (13% CR)	F6 (13% CR)	F6 (13% CR)
9	Monel	Monel	Monel	Monel
10	F316	F316	F316	F316
13	Alloy 20	Alloy 20	Alloy 20	Alloy 20

PRESSURE SEAL GLOBE VALVES

CAST & STAINLESS STEEL PRESSURE SEAL GLOBE VALVES CLASS 600 - 2500

2" - 16"



BILL OF MATERIAL

NO	NAME OF PART	ASTM SPECIFICATION						
		CARBON STEEL	HIGH TEMPERATURE SERVICE			LOW TEMPERATURE SERVICE	STAINLESS STEEL	
1	BODY	A216-WCB	A217-WC6	A217-WC9	A217-C5	A352-LCB/LC2/LC3	CF8M	CF8C
2	BONNET	A216-WCB	A217-WC6	A217-WC9	A217-C5	A352-LCB/LC2/LC3	CF8M	CF8C
3	DISC	A217-CA15	A217-WC6	A217-WC9	A217-C5	A352-LCB/LC2/LC3	CF8M	CF8C
5	STEM	A182-F6Q	A182-F60	A182-F60	A182-F60	A182-F304	F316	F347
6	DISC GLAND	A217-CA15	A217-CA15	A217-CA15	A217-CA15	A182-F304	F316	F347
8	PACKING GLAND	A276-410	A276-410	A276-410	A276-410	A276-304	F316	F347
9	GLAND FLANGE	A105	A105	A105	A105	A360-LF2	CF8M	CF8C
10	YOKE SLEEVE	A439-D2C	A439-D2C	A439-D2C	A439-D2C	A147-B8	F316	F347
11	BONNET BOLT	A193-B7	A193-B16	A193-B16	A193-B16	A320-L7	A193-B8	A193-B8
13	GLAND BOLT	A193-B7	A193-B7	A193-B7	A193-B7	A320-L7	A193-B8	A193-B8
14	GLAND NUT	A194-2H	A194-2H	A194-2H	A194-2H	A194-4	A194-8	A194-8
15	HANDLE NUT	STEEL						
16	SET SCREW	STEEL						
19	HANDWHEEL	A395						
21	PACKING	COMMERCIAL						
22	GASKET	COMMERCIAL						
26	YOKE	A216-WCB	A216-WC6	A216-WC9	A216-C5	A352-LCB/LC2/LC3	CF8M	CF8C
27	YOKE BOLT	A193-B7	A193-B16	A193-B16	A193-B16	A320-L7	A193-B8	A193-B8
28	YOKE NUT	A194-2H	A194-4	A194-4	A194-4	A194-4	A194-8	A194-8
30	STOPPER	A283-D						
31	STOPPER PIN	A276-410	A276-410	A276-410	A276-410	A276-304	F316	F347
32	PACKING WASHER	A276-410	A276-410	A276-410	A276-410	A276-304	F316	F347
33	RETAINER	A276-410	A276-410	A276-410	A276-410	A276-304	F316	F347
34	HINGE CLAMP	A216-WCB	A216-WC6	A216-WC9	A216-C5	A352-LCB/LC2/LC3	CF8M	CF8C
35	BONNET CLAMP	A216-WCB	A216-WC6	A216-WC9	A216-C5	A352-LCB/LC2/LC3	CF8M	CF8C
37	GASKET SPACER	A276-410	A276-410	A276-410	A276-410	A276-304	F316	F347

OTHER MATERIAL AVAILABLE UPON REQUEST INCLUDING NACE MR0175
HARD FACE STANDARD STELLITE 6 (OTHER OPTIONS AVAILABLE UPON REQUEST)





GLOBE VALVES

tfv usaoperation

contact@tfvusao.com
www.tfvusao.com

Call free from USA and CANADA

t: 1-866-TFV-USA0 (838-8726)

PRESSURE SEAL GLOBE VALVES

CLASS 600 - CAST & STAINLESS STEEL PRESSURE SEAL GLOBE VALVES

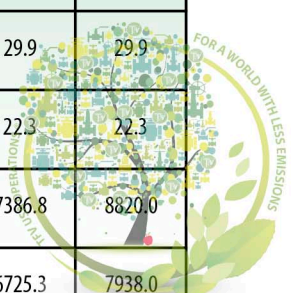
DIMENSIONS & WEIGHTS

VALVE SIZE	in	2	2.5	3	4	6	8	10	12	14	16
A1 (RF)	in	7.0	8.5	10.0	12.0	18.0	23.0	28.0	32.0	35.0	39.0
A2 (RTJ)	in	11.5	13.0	14.0	17.0	22.0	26.0	31.0	33.0	35.0	39.0
A3 (BW)	in	11.62	13.12	14.12	17.12	22.12	26.12	31.12	33.12	35.12	39.12
H2	in	21.7	24.8	26.8	29.5	45.3	49.2	55.1	61.0	70.9	85.0
W	in	9.8	11.8	11.8	17.7	23.6	18.1	24.0	24.0	24.0	29.9
L	in	-	-				20.2	17.0	20.2	20.2	22.3
WGT (RF)	lb	99.2	121.2	187.4	297.7	672.5	1367.1	2888.6	4189.5	5997.6	6945.8
WGT (BW)	lb	77.2	99.2	132.3	209.5	507.2	1190.7	2535.8	3792.6	5578.7	6394.5

CLASS 900 - CAST & STAINLESS STEEL PRESSURE SEAL GLOBE VALVES

DIMENSIONS & WEIGHTS

VALVE SIZE	in	2	2.5	3	4	6	8	10	12	14	16
A1 (RF)	in	8.5	10.0	12.0	14.0	20.0	26.0	31.0	36.0	39	43.0
A2 (RTJ)	in	14.5	16.5	15.0	18.0	24.0	29.0	33.0	38.0	40.5	44.5
A3 (BW)	in	14.62	16.62	15.12	18.12	24.12	29.12	33.12	38.12	40.88	44.88
H2	in	24.4	25.3	28.4	33.5	48.2	53.1	61.0	68.9	78.7	90.9
W	in	15.7	15.7	15.7	19.7	24.0	24.0	24.0	24.0	29.9	29.9
L	in	-	-	-	-	20.2	17.0	20.2	20.2	22.3	22.3
WGT (RF)	lb	176.4	242.6	231.5	374.9	926.1	2205.0	3792.6	5071.5	7386.8	8820.0
WGT (BW)	lb	121.3	176.4	176.4	286.7	793.8	1984.5	3351.6	4520.3	6725.3	7938.0





GLOBE VALVES

tfv usaoperation

contact@tfvusao.com
www.tfvusao.com

Call free from USA and CANADA

t: 1-866-TFVUSAO (838-8726)

PRESSURE SEAL GLOBE VALVES

CLASS 1500 - CAST & STAINLESS STEEL PRESSURE SEAL GLOBE VALVES

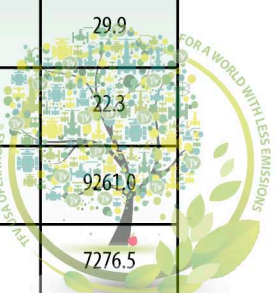
DIMENSIONS & WEIGHTS

VALVE SIZE	in	2	2.5	3	4	6	8	10	12	14
A1 (RF)	in	8.5	10.0	12.0	16.0	22.0	28.0	34.0	39.0	42.0
A2 (RTJ)	in	14.5	16.5	18.5	21.5	27.75	32.75	39.0	44.5	49.5
A3 (BW)	in	14.62	16.62	18.62	21.62	28.0	33.13	39.38	45.12	50.25
H2	in	24.4	25.2	32.9	33.7	48.4	70.9	78.7	91.0	105.9
W	in	15.7	15.7	19.7	19.7	24.0	24.0	29.9	29.9	29.9
L	in	-	-	-	-	20.2	20.2	20.2	20.2	22.3
WGT (RF)	lb	176.4	242.6	299.9	496.1	1433.3	3704.4	5909.4	7497.0	9481.5
WGT (BW)	lb	121.3	176.4	209.5	352.8	1146.6	3153.2	5027.4	6240.2	7938.0

CLASS 2500 - CAST & STAINLESS STEEL PRESSURE SEAL GLOBE VALVES

DIMENSIONS & WEIGHTS

VALVE SIZE	in	2	2.5	3	4	6	8	10	12
A1 (RF)	in	11.0	13.0	14.5	18.0	24.0	30.0	36.0	41.0
A2 (RTJ)	in	17.75	20.0	22.75	26.5	36.0	40.25	50.0	56.0
A3 (BW)	in	17.87	20.25	23.0	26.88	36.5	40.87	50.88	56.88
H2	in	24.3	30.7	31.5	51.2	53.9	85.0	100.0	106.0
W	in	15.7	19.7	19.7	24.0	24.0	29.9	29.9	29.9
L	in	-	-	-	20.2	17.0	22.3	22.3	22.3
WGT (RF)	lb	220.5	341.8	463.1	1102.5	2756.3	5292.0	7276.5	9261.0
WGT (BW)	lb	154.4	242.6	308.7	771.8	2094.8	4410.0	5512.5	7276.5





GLOBE VALVES

tfv usaoperation

contact@tfvusao.com
www.tfvusao.com

Call free from USA and CANADA

t: 1-866-TFVUSAO (838-8726)

PRESSURE SEAL GLOBE VALVES

HOW TO ORDER

VALVE TYPE			FEATURES		MATERIAL		ENDS	CLASS	SIZE ⁽⁴⁾	OPERATION
SERIES		Wedge/Disc Design			BODY	TRIM (Stem/Disc/seat Ring)				
Body Design	Bonnet Design									
60 Globe Valve OS&Y API 600	P Pressure Seal	C Conical Std Plug	NONE	NONE	20 A216 WCB	01 13CR	F Flanged RF	0 ANSI 150#	02 2"	H Handwheel
61 Globe Valve OS&Y API 603		G Guide Plug	6D	API 6D	21 A216 WCC	02 304SS	R Flanged RTJ	3 ANSI 300#	02.5 2 1/2"	
		A Parabolic Plug	N	NACE	22 A350 LCB ⁽¹⁾	05 13CR / HF / HF	B Butt Weld	6 ANSI 600#	03 3"	G Gear Operator
		O Soft Seated Plug	ND	NACE/API 6D	23 A352 LC3 ⁽¹⁾	06 13CR / 13CR / CuNi		9 ANSI 900#	04 4"	E Electric Actuator
			F	Fire Safe	24 A217 WC1	08 13CR / 13CR / HF		1 ANSI 1500#	05 5"	P Pneumatic Actuator
			O	Oxigen Service	25 A217 WC6 ⁽²⁾	09 13CR / 13CR / HF		2 ANSI 2500#	06 6"	
			FE	Fugitive Emmisions	26 A217 WC9 ⁽²⁾	10 Monel			08 8"	B Bare Shaft
			BS	Bellows Seal	27 A217 C5 ⁽²⁾	11 316SS			10 10"	
			CR	Criogenic Service	28 A217 C12 ⁽¹⁾	12 AB C61300			12 12"	
			TS	Thermal Shield	30 A351 CF8M ⁽³⁾	13 316SS / 316SS / HF			14 14"	
					31 A351 CF3M ⁽³⁾	14 CN7M			16 16"	
					32 A351 CF8 ⁽³⁾	15 CN7M / CN7M / HF			18 18"	
					33 A351 CF3 ⁽³⁾	16 AB C95500				
					40 Monel	17 316L SS				
					41 Alloy 20	18 Monel / Monel / HF				
					42 Hastelloy					
					43 A182 Gr321					
					44 A182 Gr347					
					45 Duplex					
					46 Triballoy 900					
					47 Incolloy 800					
					48 Incolloy 825					

Example

Globe Valve OS&Y API 603, Pressure Seal Standard Plug, Body WCB Trim 5 (Stem 13% Cr, Disc and Seat Harfacing Stellite)
Flanged ANSI Class 150# Size 6" with Handwheel.

61PC-2005-F006H

(1) Low temperature Sevice

(2) High temperature Sevice

(3) Stainless Steel

(4) Available Sizes: ANSI Class 150# - from 2" to 18"
300, 600, 900 & 1500# - from 2" to 16"
2500# - from 2" to 12"

(5) Series 63 & 64 are Bolted Bonnet design only

