

GLOBE VALVES

FORGED STEEL GLOBE VALVES

Series 62



FEATURES

- FORGED STEEL
- SIZES 3/8" - 2" CLASS 800 - 2500
- BASIC DESIGN API 602 & ANSI B16.34
- SOCKET WELD END DIMENSION ANSI B16.10
- THREAD END DIMENSION ANSI B1.20.1
- INSPECTION & TESTING API 598
- BUTT WELD ENDS ANSI B16.25
- FLANGED ENDS ANSI B16.5

TRIM MATERIAL

API Trim No	Nonimal Trim	Stem	Disc/Wedge	Seat	Min Hardness (Brinell)
1	F6	410 (13Cr)	F6 (13Cr)	410 (13Cr)	250
2	304	304 (18Cr-8Ni)	304 (18Cr-8Ni)	304 (18Cr-8Ni)	not specified
3	-	(25Cr-20Ni)	310 (25Cr-20Ni)	310 (25Cr-20Ni)	not specified
4	-	410 (13Cr)	F6 (13Cr)	F6 (13Cr)	750
5	Hardfaced	410 (13Cr)	F6 +St Gr6 (CoCr Alloy)	410+St Gr6 (CoCr Alloy)	350
5A	-	410 (13Cr)	F6 + Hardf. NiCr Alloy	410 Hardf. NiCr Alloy	350
6	-	410 (13Cr)	F6 (13Cr)	Monel (NiCu Alloy)	250/175
7	-	410 (13Cr)	F6 (13Cr)	F6 (13Cr)	250/750
8	F6 and Hardfaced	410 (13Cr)	F6 (13Cr)	410+St Gr6 (CoCr Alloy)	250/350
8A	-	410 (13Cr)	F6 (13Cr)	410 Hardf. NiCr Alloy	250/350
9	Monel	Monel (NiCu Alloy)	Monel (NiCu Alloy)	Monel (NiCu Alloy)	not specified
10	316	316 (18Cr-8Ni-Mo)	316 (18Cr-8Ni-Mo)	316 (18Cr-8Ni-Mo)	not specified
11	Monel and Hardfaced	Monel (NiCu Alloy)	Monel (NiCu Alloy)	Monel St Gr6	350
11A	-	Monel (NiCu Alloy)	Monel (NiCu Alloy)	Monel Hardif. NiCrA	350
12	316 and Hardfaced	316 (18Cr-8Ni-Mo)	316 (18Cr-8Ni-Mo)	316 + St. Gr6	350
12A	-	316 (18Cr-8Ni-Mo)	316 (18Cr-8Ni-Mo)	316 Hardf. NiCr Alloy	350
13	Alloy 2	Alloy 20(19Cr-29Ni)	Alloy 20(19Cr-29Ni)	Alloy 20(19Cr-29Ni)	not specified
14	Alloy 20 and Hardfaced	Alloy 20 (19Cr-29Ni)	Alloy 20 (19Cr-29Ni)	Alloy 20 St Gr6	350
14A	-	Alloy 20(19Cr-29Ni)	Alloy 20(19Cr-29Ni)	Alloy 20 Hardf. NiCr Alloy	350
15	Hardfaced (304)	304 (18Cr-8Ni)	304 + St Gr6	304 + St Gr6	350
16	Hardfaced (316)	316 HF (18Cr-8Ni-Mo)	316 + St Gr6	316 + St Gr6	350
17	Hardfaced (347)	347-HF(18Cr-10Ni-Cb)	347 + St Gr 6	347 + St Gr6	350
18	Hardfaced Alloy 20 HF	Alloy 20(19Cr-29Ni)	Alloy 20 + St Gr6	Alloy 20 + St Gr6	350
n/a	Alloy 625	Alloy 625	Alloy 625	Alloy 625	

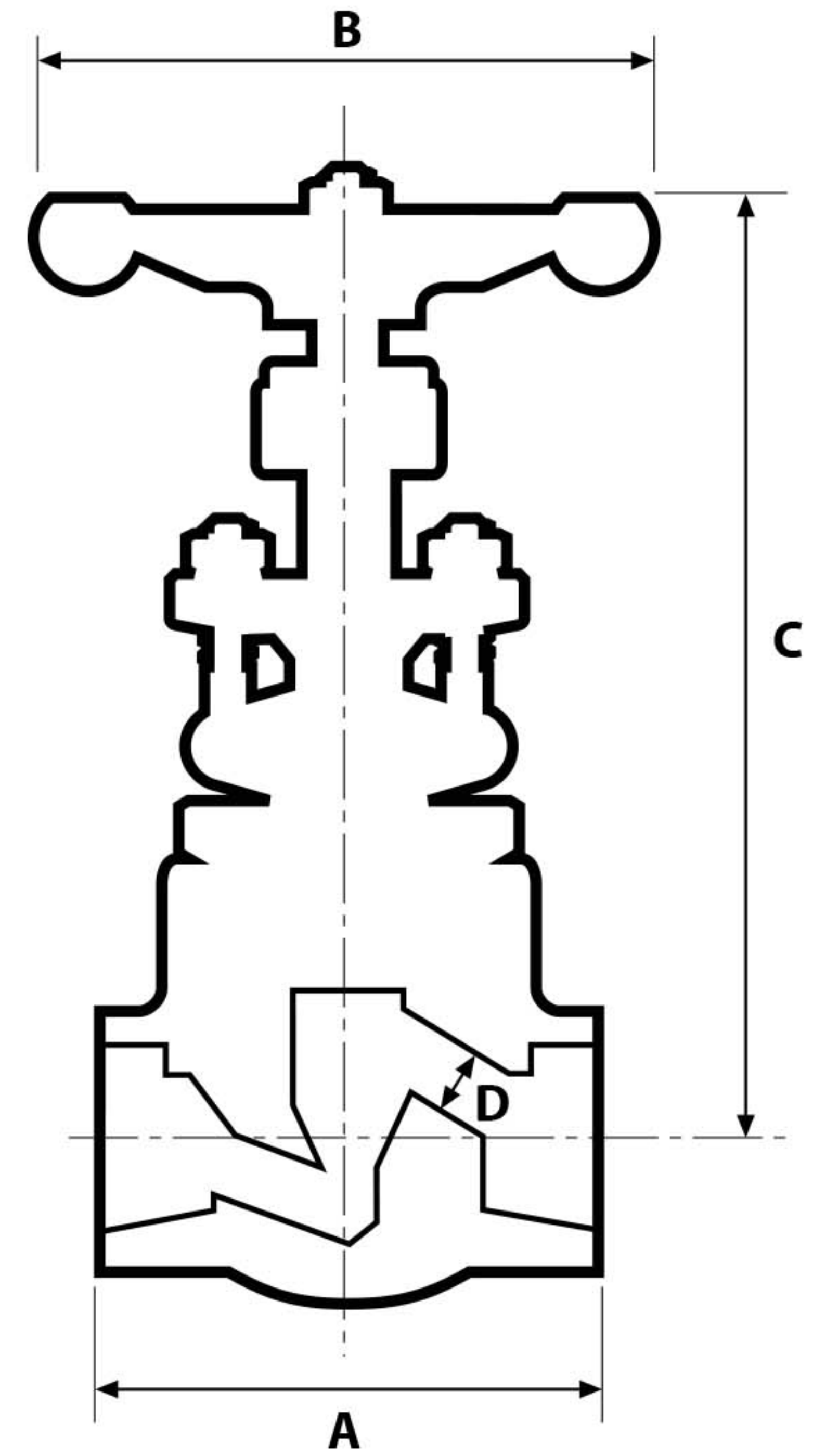
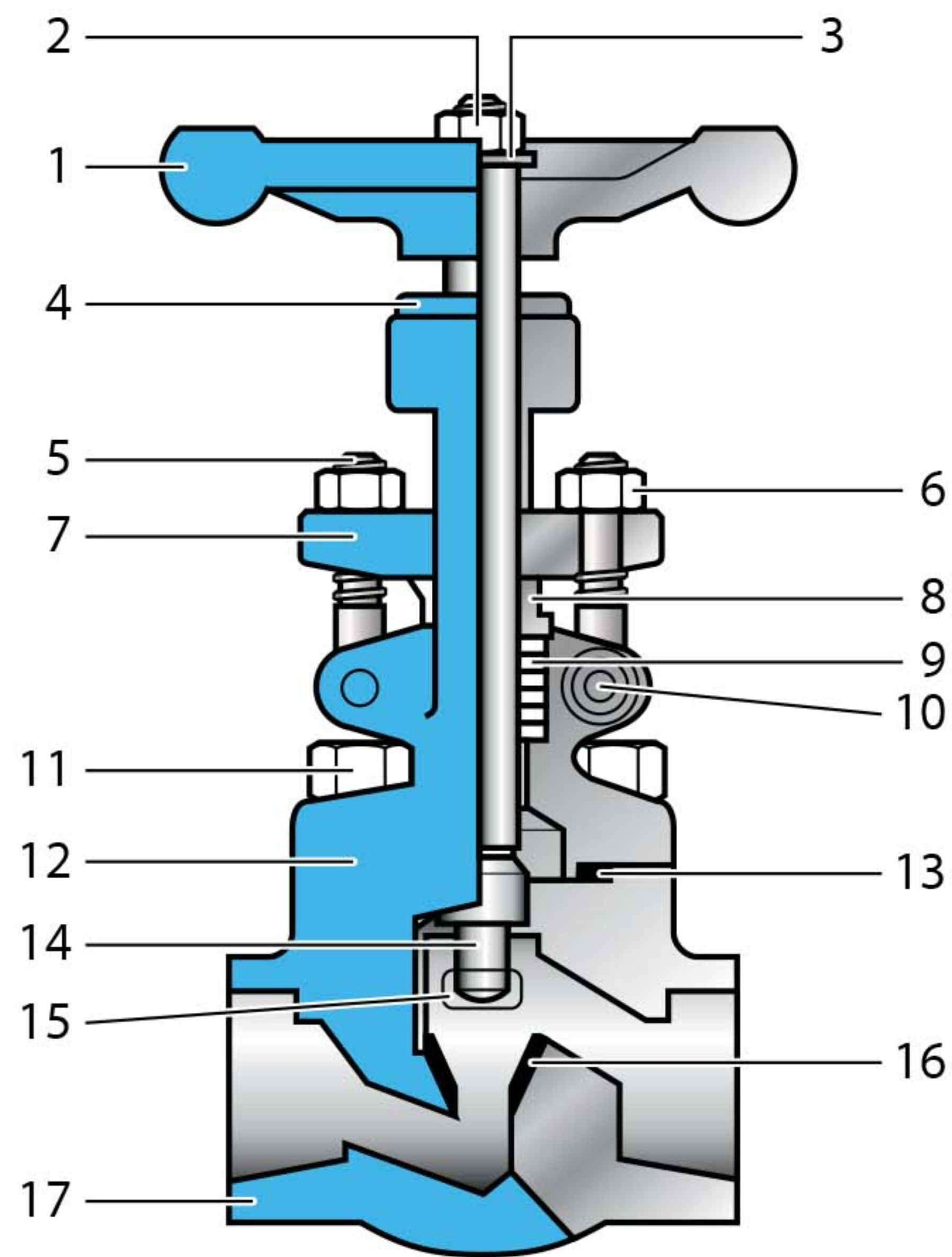
HF = STELLITE 6 (OTHER AVAILABLE UPON REQUEST)

GLOBE VALVES

FORGED STEEL GLOBE VALVES

FORGED STEEL GLOBE VALVES CLASS 800

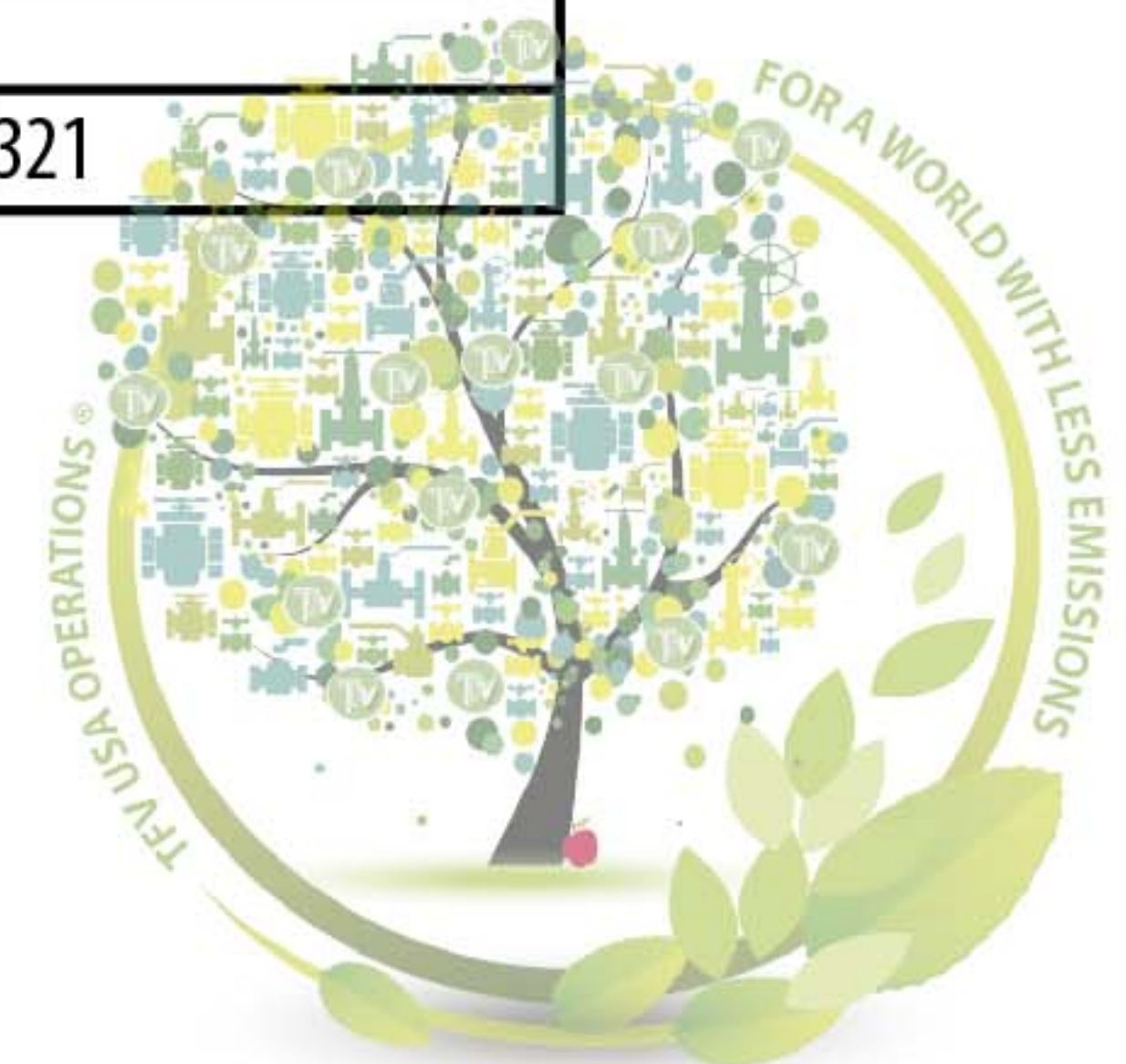
3/8" - 2"



BILL OF MATERIAL

NO	NAME OF PART	MATERIAL
1	LOCK NUT	CARBON STEEL AISI 1020
2	HANDWHEEL	MALLEABLE IRON
3	WASHER	CARBON STEEL AISI 1020
4	STEM NUT	ASTM A276 410
5	EYE BOLT	ASTM A276 410
6	EYE BOLT NUT	ASTM A194 2H
7	GLAND FLANGE	ASTM A216 WCB
8	PACKING GLAND	ASTM A276 410
9	EYE BOLT PIN	ASTM A276 410
10	PACKING	GRAPHITE
11	BOLT	ASTM A193 B7
12	BONNET	ASTM A105 - Also available in F5, F11, F304, F316, F51, F53, F347, and F321
13	GASKET	GRAPHITE
14	STEM	ASTM A276 410
15	DISC	ASTM A276 420
16	SEAT	INTEGRAL+HF
17	BODY	ASTM A105 - Also available in F5, F11, F304, F316, F51, F53, F347, and F321

OTHER MATERIAL AVAILABLE UPON REQUEST INCLUDING NACE MR0175
HARD FACE STANDARD STELLITE 6 (OTHER OPTIONS AVAILABLE UPON REQUEST)





GLOBE VALVES

tfv usaoperation

contact@tfvusao.com
www.tfvusao.com

Call free from USA and CANADA

t: 1-866-TFV-USA0 (838-8726)

FORGED STEEL GLOBE VALVES

DIMENSION (INCHES)

CLASS 800								
	1/4	3/8	1/2	3/4	1	1-1/4	1-1/2	2
A	3.14	3.14	3.54	4.33	5.00	6.10	6.69	8.26
B	3.14	3.14	3.14	4.33	5.11	5.11	7.08	7.08
C	5.82	5.82	6.49	7.08	8.38	9.76	10.1	14.5
D	0.28	0.35	0.51	0.69	0.89	1.16	1.37	1.79
WEIGHT (LBS)	3.7	3.7	5.0	7.9	12.1	16.5	25.5	48.5

CLASS 1500								
	1/4	3/8	1/2	3/4	1	1-1/4	1-1/2	2
A	3.54	3.54	4.33	5.00	6.10	6.69	8.26	8.26
L	3.14	3.14	4.33	5.11	5.11	7.08	7.08	7.08
H	6.29	6.29	6.88	8.26	9.60	9.84	14.5	14.7
D	0.28	0.35	0.51	0.67	0.83	1.10	1.30	1.48
WEIGHT (LBS)	4.8	4.8	8.5	13.2	17.6	26.4	51.7	50.6

CLASS 2500								
	1/4	3/8	1/2	3/4	1	1-1/4	1-1/2	2
A	-	-	5.90	5.90	8.26	-	9.25	9.25
B	-	-	5.11	5.11	9.84	-	11.8	11.8
C	-	-	10.4	10.4	14.1	-	16.9	17.1
D	-	-	0.51	0.70	0.83	-	1.30	1.37
WEIGHT (LBS)	-	-	24.2	24.8	49.3	-	83.7	83.7

CLASS 150 - 300 - 600										
		A	1/4	3/8	1/2	3/4	1	1-1/4	1-1/2	2
Class 150		A	-	-	4.25	4.64	5.00	-	6.49	7.99
Class 300		A	-	-	6.02	7.00	7.99	-	9.01	10.5
Class 600		A	-	-	6.49	7.51	8.50	-	9.48	11.5
Handwheel		B	-	-	3.14	3.14	4.33	-	5.11	7.08
Center to Top Open	Class 150/300	C	-	-	5.82	6.49	7.08	-	9.76	10.1
	Class 600	C	-	-	6.69	7.75	8.07	-	9.76	10.1
Dia. of Port		D	-	-	0.35	0.51	0.69	-	1.16	1.37
Weight	Class 150	Lb	-	-	7.5	8.8	12.5	-	22.0	37.4
	Class 300	Lb	-	-	8.8	11.0	16.1	-	30.8	45.1
	Class 600	Lb	-	-	9.9	12.1	16.7	-	33.0	46.2





GLOBE VALVES

tfv usaoperation

contact@tfvusao.com
www.tfvusao.com

Call free from USA and CANADA

t: 1-866-TFV-USA0 (838-8726)

FORGED STEEL GLOBE VALVES

HOW TO ORDER

VALVE TYPE			FEATURES	MATERIAL		ENDS	CLASS	SIZE	OPERATION						
Body Design (SERIES)	Bonnet Design	Wedge/Disc Design		BODY	TRIM (Stem/Disc seat/seat Ring)										
62	Globe Valve OS&Y API 602	B Bolted Bonnet	C Conical Std Plug	NONE	NONE	20	A105	01	13CR	F Flanged RF ⁽¹⁾	0	ANSI 150#	0.25	1/4"	H Handwheel
				6D	API 6D	22	A350 LF2	02	304SS	R Flanged RTJ ⁽¹⁾	3	ANSI 300#	0.38	3/8"	G Gear Operator
62Y	Globe Valve Y - Type OS&Y API 602	W Welded Bonnet	P Pressure Seal	N	NACE	23	A350 LF3	03	310SS	T Threaded	6	ANSI 600#	0.5	1/2"	E Electric Actuator
				ND	NACE/API 6D	24	A182 F1	05	13CR / HF / HF	S Socket Weld	8	API 800#	0.75	3/4"	P Pneumatic Actuator
				F	Fire Safe	25	A182 F11 CL2	06	13CR / 13CR / CuNi	B Butt Weld	1	ANSI 1500#	01	1"	B Bare Shaft
				O	Oxigen Service	26	A182 F22 CL3	08	13CR / 13CR / HF	M 2 different ends (to be specify)	2	ANSI 2500#	01.25	1 1/4"	
				FE	Fugitive Emmisions	27	A182 F5	09	Monel				01.5	1 1/2"	
				BS	Bellows Seal	28	A182 F9	10	316SS				02	2"	
				CR	Criogenic Service	30	A182 F316	11	Monel / Monel / HF						
				G	Fire Safe / NACE	31	A182 F316L	12	316SS / 316SS / HF						
						32	A182 F304	13	CN7M						
						33	A182 F304L	14	CN7M / CN7M / HF						
						40	Monel	15	A105/HF/HF						
						41	182 F20	16	SS316 + HF / SS316 + HF / SS316 + HF						
						42	Hastelloy								
						43	A182 F321								
						44	A182 F347								

Example

Globe Valve OS&Y API 602, Bolted Bonnet Std Disc, Body A105 Trim 5 (Stem 13% Cr, Disc and Seat Hardfacing Stellite), Flanged ANSI Class 150#, Size 2" with Handwheel

62BC-2005-F002

(1) Flanged Valves are flange welded (non integral body)
available ANSI Class 150 to 600# only

****HF = Usually Stellite 6 other available under request

