

GLOBE VALVES

CAST IRON GLOBE VALVE



FEATURES

- Outside Screw and Yoke
- Bolted Bonnet
- Rising Stem
- Bronze Trimmed
- Flanged Ends
- Conforms to Specifications of MSS-SP-85

MATERIAL LIST

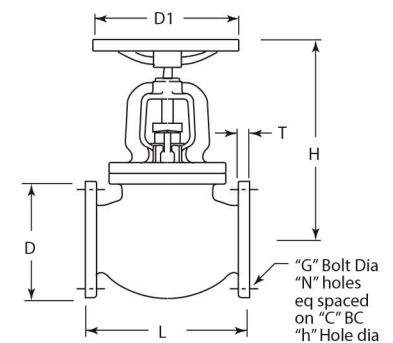
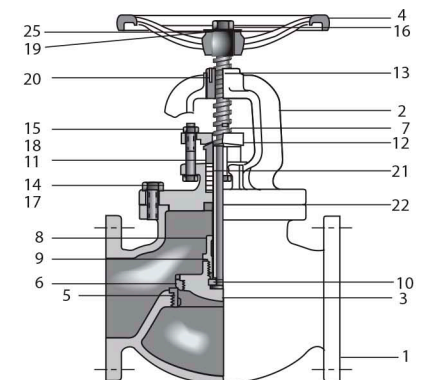
Item	Description	Material	Specification
1	Body	Cast iron	ASTM A126 Class B
2	Bonnet	Cast iron	ASTM A126 Class B
3	Disc	2" & 2-1/2"	Cast bronze
4	Handwheel	Cast iron	ASTM A126 Class B
5	Body seat ring	Cast bronze	ASTM B62-C83600
6	Disc seat ring	Cast bronze	ASTM B62-C83600
7	Stem	Forged brass	ASTM B124-C37700
8	Lock nut	Cast bronze	ASTM B62-C83600
9	Lock washer	Brass plate	ASTM B36-C2600
10	Stem ring	Forged brass	ASTM B124-C37700
11	Gland	Brass	ASTM B16-C36000
12	Gland flange	Ductile iron	ASTM A536 Gr. 60-40-18
13	Yoke bush	Cast bronze	ASTM B62-C83600
14	Bonnet stud bolt	Steel	ASTM A307 Grade B
15	Gland bolt	Steel	ASTM A307 Grade B
16	Wheel nut	Steel	ASTM A563 Grade A
17	Bonnet stud nut	Steel	ASTM A563 Grade A
18	Gland bolt nut	Steel	ASTM A563 Grade A
19	Washer	Steel	ASTM A36
20	Knock pin	Steel	ASTM A36
21	Gland packing	Plastic graphite	T#2996-NA
22	Gasket	Non-asbestos	T#2996
23	Disc guide pin	10" - 12"	Steel
24	Set screw	10" - 12"	Steel
25	Name plate	Aluminum plate	ASTM B209-1100

WORKING PRESSURES

Working Pressure Non-Shock (psi)		Test Pressure (psi)	
Saturated Steam	Cold Water, Oil, Gas	Shell (Water)	Seat (Water)
125	200	350	220

DIMENSION (INCHES)

Size	2	2-1/2	3	4	5	6	8	10	12
L	7.99	8.50	9.49	11.50	12.99	14.02	19.49	24.49	27.48
H	11.57	12.44	13.94	15.98	18.03	20.91	24.96	26.42	29.80
D1	7.09	7.09	9.06	11.02	11.81	14.17	15.75	15.75	17.72
D	6.00	7.00	7.50	9.00	10.00	11.00	13.50	16.00	19.00
C	4.75	5.50	6.00	7.50	8.50	9.50	11.75	14.25	17.00
T	0.62	0.69	0.75	0.94	0.94	1.00	1.12	1.19	1.25
N	4	4	4	8	8	8	8	12	12
h	0.75	0.75	0.75	0.75	0.88	0.88	0.88	1.00	1.00
G	0.62	0.62	0.62	0.62	0.75	0.75	0.75	0.88	0.88
Wt.	34	43	59	96	139	193	340	445	596



Notes:

1. Face to face dimensions for flanged globe valves conform to ANSI B16.10.
2. End flange dimensions and drilling conform to ANSI B16.1.
End flanges are fully flat faced and smooth finished on the joint side in accordance with MSS SP-6.
3. Discs in sizes 2" and 2-1/2" are constructed of solid cast bronze.
4. Discs in sizes 10" and 12" are provided with disc guide pins to ensure accurate disc alignment.
5. Pressure-temperature ratings conform to those specified in MSS SP-85.
6. For sizes 4" and larger, by-pass bosses are provided at A, B, E & F positions in accordance with MSS SP-45.



GLOBE VALVES

tfv usaoperation

contact@tfvusao.com
www.tfvusao.com

Call free from USA and CANADA

t: 1-866-TFV-USA0 (838-8726)

CAST IRON GLOBE VALVE

HOW TO ORDER

VALVE TYPE (SERIES)			FEATURES	MATERIAL		ENDS	CLASS	SIZE	OPERATION
Body Design	Bonnet Design	Wedge/Disc Design		BODY	TRIM (Stem/Disc/seat Ring)				
66 Globe Valve OS&Y Low Pressure	B Bolted Bonnet	C Conical Std Disc	NONE NONE	60 Cast Iron	60 Cast Iron 61 Bronze / Brass ⁽¹⁾	L Flanged FF	7 ANSI 125#	02 2" 02.5 2 1/2" 03 3" 04 4" 05 5" 06 6" 08 8" 10 10" 12 12"	H Hand wheel G Gear Operator E Electric Actuator P Pneumatic Actuator B Bare Shaft

Example

Globe Valve OS&Y, Bolted Bonnet Std Disc, Body Cast Iron, Trim Bronze, Flanged ANSI Class 125#, Size 6" with Handwheel.

66BC-6061-L706H

(1) To be specifiv on each proposal and/or PO

