

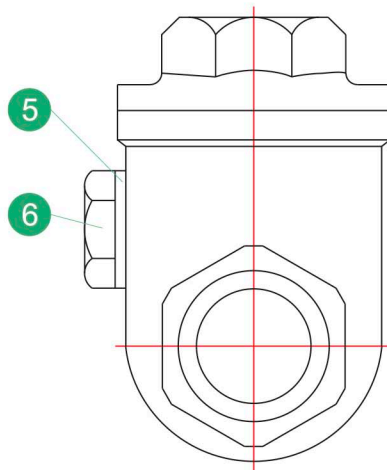
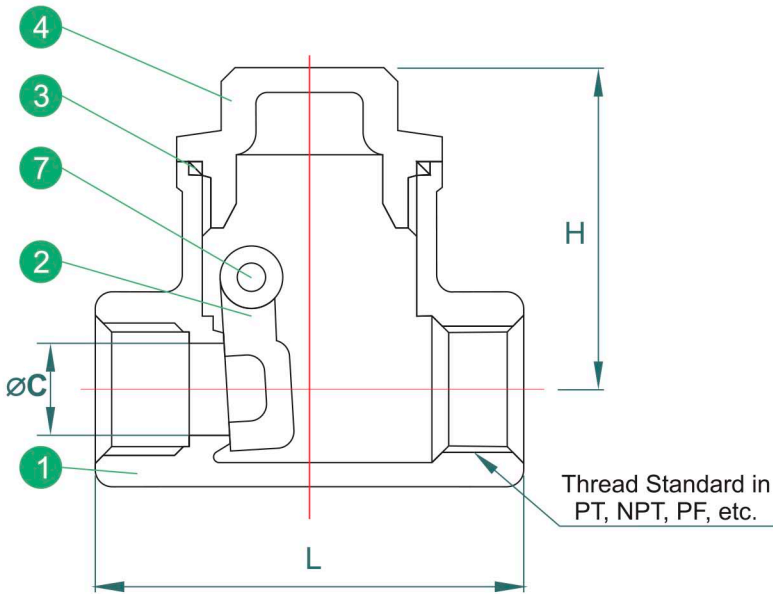
CHECK VALVES

SWING CHECK VALVE 200 WOG

FEATURES

- ONE SOLID ONE-PC DISC
- INTEGRAL SEAT
- MAXIMUM WORKING TEMPERATURE 356°F
- MAXIMUM WORKING PRESSURE 200 PSI WOG
- INVESTMENT CASTING BODY
- PRESSURE TEST: API 598
- THREADED AS PER ANSI B1.20.1 (NPT)
- MANUFACTURED IN ISO 9001 APPROVED FACILITY
- SW ENDS ACCORDING TO ANSI B16.11

Series 7



MATERIAL LIST

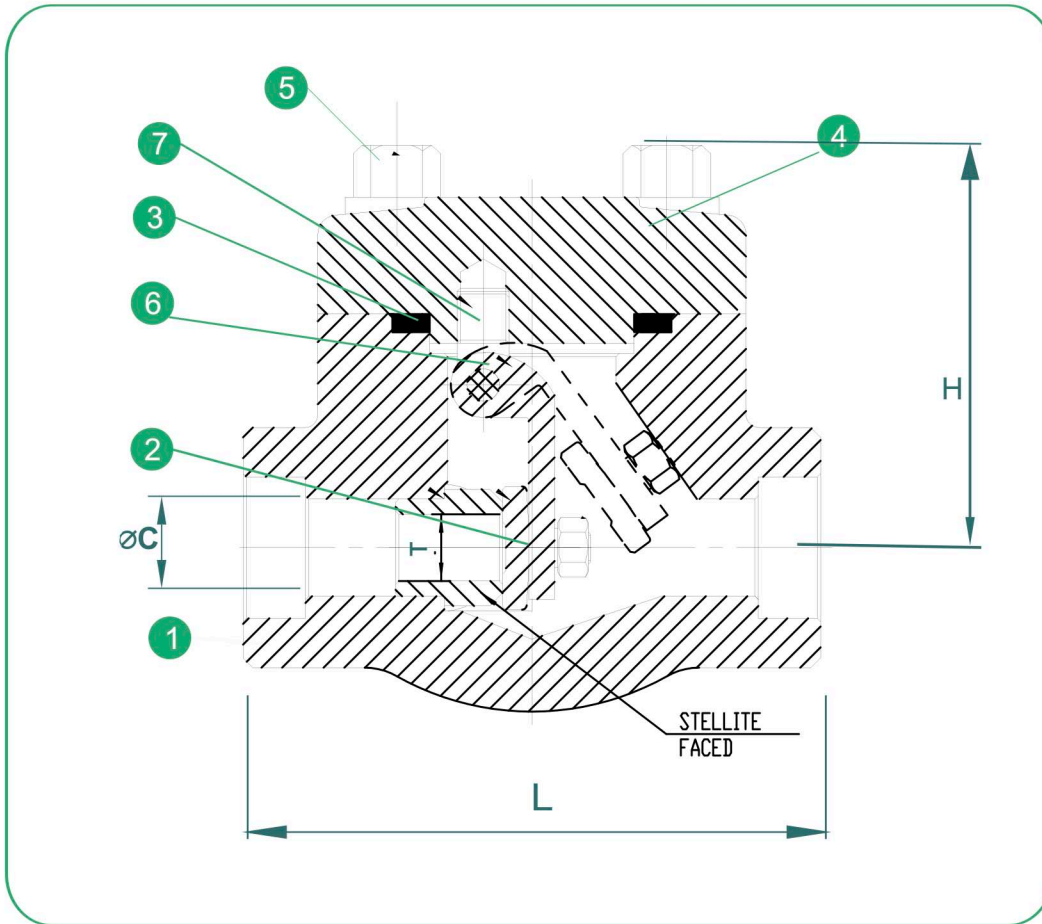
No.	PART NAME	MATERIAL
1	BODY	CF8M
2	DISC	SS 316
3	GASKET	PTFE
4	CAP	CF8M
5	PLUG GASKET	PTFE
6	PLUG	SS 316
7	HINGE PIN	SS 316

DIMENSION (INCHES)

SIZE	ØC	H	L	W(LBS)
1/2"	0.59	1.77	2.56	0.73
3/4"	0.79	2.20	3.15	0.92
1"	0.98	2.44	3.54	1.54
1 1/4"	1.26	2.83	4.13	2.20
1 1/2"	1.57	2.87	4.72	3.30
2"	1.97	3.23	5.51	4.62
2 1/2"	2.56	3.66	7.09	9.24
3"	3.15	4.09	7.87	12.10

CHECK VALVES

SWING CHECK VALVE 200 WOG

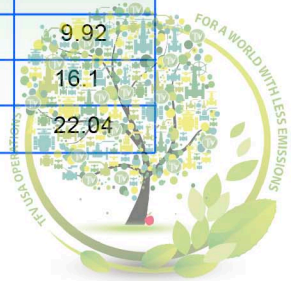


MATERIAL LIST

No.	PART NAME	MATERIAL
1	BODY	ALLOY 20
2	DISC	ALLOY 20
3	GASKET	SS316+GRAPHITE
4	CAP	ALLOY 20
5	BONNET BOLT	A193B8M
6	HINGE	ALLOY 20
7	PONLEVIS	ALLOY 20

DIMENSION (INCHES)

SIZE	øC	H	L	T	W(LBS)
1/4"	0.55	2.4	3.1	0.311	2.42
3/8"	0.69	2.4	3.1	0.374	2.42
1/2"	0.85	2.4	3.1	0.413	3.52
3/4"	1.06	3.07	3.62	0.53	4.18
1"	1.329	3.3	4.37	0.74	8.59
1 1/4"	1.675	3.9	4.72	0.91	9.92
1 1/2"	1.914	4.72	4.72	1.14	16.1
2"	2.4	5.23	5.51	1.41	22.04





CHECK VALVES

tfv usaoperation

contact@tfvusao.com
www.tfvusao.com

Call free from USA and CANADA

t: 1-866-TFV-USAO (838-8726)

SWING CHECK VALVE 200 WOG

HOW TO ORDER

CLASS	VALVE BODY DESIGN (SERIES)	MATERIAL			ENDS	SIZE
		BODY	DISC	SEAT		
NONE 200# WOG	7 SWING CHECK VALVE	3 CF8M	3 316SS	3 CF8M	T THREADED	0.25 1/4"
		8 ALLOY 20	8 ALLOY 20	8 ALLOY 20	S SOCKET WELD	0.38 3/8"
						0.5 1/2"
						0.75 3/4"
						1 1"
						01.25 1 1/4"
						01.5 1 1/2"
						02 2"
						02.5 2 1/2"
						03 3"

Example

Swing Check Valve, Body ASTM A351 Gr. CF8M & Disc 316SS, Metal to Metal Seat, Threaded 200# WOG, Size 2".

7333T02

