

# CHECK VALVES

## DUAL DISC CHECK VALVE WAFER 150 / 300#

Series 74D

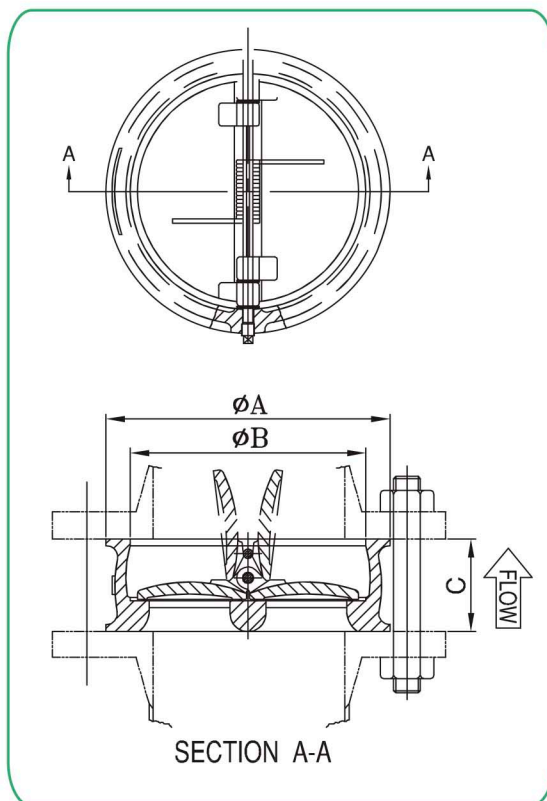


### FEATURES

- SMALL AND LIGHT QUICK REACTION VERTICAL AND HORIZONTAL BUBBLE TIGHT
- LOW PRESSURE DROP
- NO SAMPLING, PLATES START CLOSING AGAINST THE FLOW BEFORE THE STOPS
- MATERIAL: CAST IRON (ASTM A 126-B); DUCTILE IRON (SATM A395)
- SEAT: NBR / EDPM / VITON / METAL
- ASTM ASME B16.34 API 598 API 600 ANSI B16.5 ANSI B16.10 BS10 - TABLE E DIN 3202, EN 558-1.
- DESIGN ACCORDING TO API 594
- FACE TOFACE ACCORDING TO ADIN 3202 K3 OR EN 558-1
- FLANGED DIMENSION ACCORDING TO BS 10 TABLE E
- PRESSURE - TEMPERATURE RATING ACCORDING TO ASME B16.34
- PRESSURE TEST ACCORDING TO API 598

### MATERIAL LIST

NO	PART NAME	MATERIAL
1	BODY	CI, WCB, CF8M
2	PLATE	BRONZE, SS304, SS316
3	SEAT	METAL VITON EPDM NBR
4	SPRING	SS316
5	HINGE PIN	SS316
6	STOP PIN	SS316
7A	PLUG	SS316
7B		
8	BODY BEARING	PTFE.
9	PLATE BEARING	PTFE.
10	EYE-BOLT	A105



### DIMENSION (INCHES)

SIZE	C		$\phi A$		$\phi B$	WEIGHT (LBS)	
	150#	300#	150#	300#		150#	300#
4"	2.87	2.87	6.77	7.01	3.94	22.00	26.40
5"	3.27	3.27	7.60	8.15	4.92	26.40	30.80
6"	3.86	3.86	8.62	9.76	5.91	28.60	35.20
8"	5.00	5.00	10.87	12.01	7.87	57.20	66.00
10"	5.75	5.75	13.27	14.13	9.84	105.60	125.40
12"	7.13	7.13	15.98	16.50	11.81	171.60	200.20
14"	7.24	8.74	17.64	18.98	13.78	226.60	374.00
16"	7.52	9.13	20.12	21.10	15.75	312.40	448.80
18"	7.99	10.39	21.50	23.39	17.72	325.60	596.20
20"	8.62	11.50	23.74	25.63	19.69	413.60	759.00
24"	8.74	12.52	28.11	30.39	23.62	554.40	1082.40



# CHECK VALVES

tfv usaoperation

contact@tfvusao.com  
www.tfvusao.com

Call free from USA and CANADA

t: 1-866-TFV-USA0 (838-8726)

## DUAL DISC CHECK VALVE WAFER 150 / 300#

### HOW TO ORDER

VALVE TYPE (SERIES)	
Body Design	Disc Design
<b>74</b> Wafer Check Valve	<b>D</b> Double Disc API

BODY		
BODY	TRIM	SOFT SEAT <sup>(4)</sup>
<b>20</b> A216 WCB	<b>10</b> CF8M / CF8M / CF8M	<b>NONE</b> Metal To Metal
<b>21</b> A216 WCC	<b>50</b> WCB / A217 CA15 / WCB+13%CR	<b>E</b> EPDM
<b>22</b> A350 LCB <sup>(1)</sup>	<b>51</b> A217 C5 / A217 CA15 / WCB+13%CR	<b>B</b> NBR
<b>23</b> A352 LC3 <sup>(1)</sup>	<b>52</b> A217 CA15 / A217 CA15 / WCB+13%CR	<b>V</b> Viton
<b>24</b> A217 WC1	<b>53</b> LCB+304 / A352 LCB+304	<b>N</b> Neoprene
<b>25</b> A217 WC6 <sup>(2)</sup>	<b>54</b> A352 LCB / A352 LCB+304	
<b>26</b> A217 WC9 <sup>(2)</sup>	<b>60</b> CAST IRON	
<b>27</b> A217 C5 <sup>(2)</sup>		
<b>28</b> A217 C12 <sup>(1)</sup>		
<b>30</b> A351 CF8M <sup>(3)</sup>		
<b>31</b> A351 CF3M <sup>(3)</sup>		
<b>32</b> A351 CF6 <sup>(3)</sup>		
<b>33</b> A351 CF3 <sup>(3)</sup>		
<b>40</b> Monel		
<b>41</b> Alloy 20		
<b>42</b> Hastelloy		
<b>43</b> A182 Gr321		
<b>44</b> A182 Gr347		
<b>45</b> Duplex		

ENDS		CLASS	SIZE <sup>(5)</sup>	
<b>W</b> Wafer		<b>0</b> ANSI 150#	<b>01.5</b>	11/2"
		<b>3</b> ANSI 300#	<b>02</b>	2"
		<b>6</b> ANSI 600#	<b>02.5</b>	2 1/2"
<b>L</b> LUG		<b>9</b> ANSI 900#	<b>03</b>	3"
		<b>1</b> ANSI 1500#	<b>04</b>	4"
			<b>05</b>	5"
			<b>06</b>	6"
			<b>08</b>	8"
		<b>10</b>	10"	
		<b>12</b>	12"	
		<b>14</b>	14"	
		<b>16</b>	16"	
		<b>18</b>	18"	
		<b>20</b>	20"	
		<b>24</b>	24"	
		<b>26</b>	26"	
		<b>28</b>	28"	
		<b>30</b>	30"	
		<b>36</b>	36"	
		<b>40</b>	40"	
		<b>42</b>	42"	
		<b>48</b>	48"	
		<b>54</b>	54"	
		<b>60</b>	60"	
		<b>66</b>	66"	
		<b>72</b>	72"	
		<b>78</b>	78"	
		<b>84</b>	84"	

#### Example

Double Disc Check Valve, Body ASTM A216 Gr. WCB, Disc 316SS, Metal to Metal Seat, Wafer ANSI Class 150# Size 12".  
**74D-2010-W312**

(1) Low temperature Service

(2) High temperature Service

(3) Stainless Steel

(4) Available for Dual Disc & wafer compact (WC) valve

(5) Available Sizes for DUAL PLATE: ANSI Class 150# - from 1 1/2" to 84"

300# - from 1 1/2" to 60", 600# - from 1 1/2" to 48", 900# - from 1 1/2" to 42" & 1500# - from 2" to 24", 2500# - from 2" to 12"

Available Sizes for WAFER COMPACT: ANSI Class 150# - from 1 1/2" to 60", 300# & 600# - from 2" to 12"

Available Sizes for WAFER STD: ANSI Class 150#, 300- & 600# - from 2" TO 24"

#### General Notes:

\*API 603 Light Wall (ANSI/ASME B16.34)

\*\*API 600 Heavy Wall

\*\*\*HF = Usually Stellite 6 other available under request

