

CHECK VALVES

WAFER SWING CHECK VALVE

Series 74S



FEATURES

- HIGHEST DEGREE OF TIGHTNESS
- LOE PRESSURE DROP
- FREE OF MAINTENANCE
- LOW FRICTION
- SEAT: NBR / EPDM / VITON / METAL
- ASTM ASME B16.34 API 6D API 598 API 600 ANSI B16.5 BS 10 TABLE E
- DESGN ACCORDING TO API 6D
- SHELL WELL THICKNESS ACCORDING TO API 6D
- FACE TO FACE ACCORDING TO API 6D
- FLANGED DIMENSION ACCORDING TO ANSI B16.5
- PRESSURE TEMPERATURE RATING ACCORDING TO ASME B16.34
- PRESSURE TEST ACCORDING TO API 6D

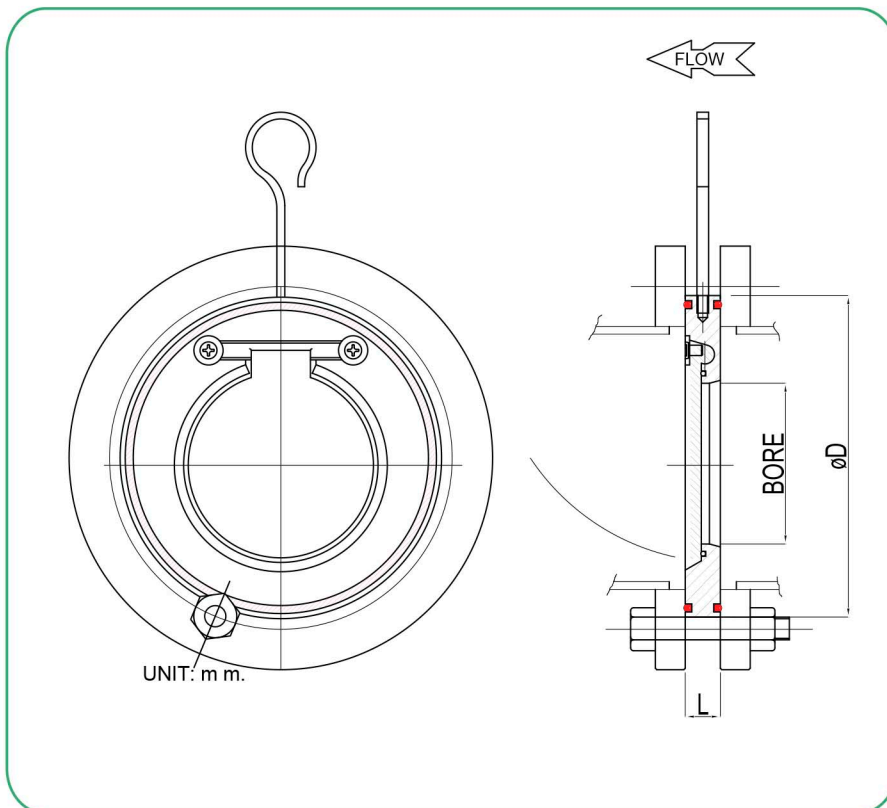
MATERIAL LIST

NO.	PARTS NAME	MATERIALS
1	BODY	CF8M
2	DISC	CF8M
3	RETAINER	SS316
4	BUSH	SS316
5	CLAPPER SEAL	NBR
6	BODY SEAL	NBR
7	EYE BOLT	SS316

OTHER MATERIALS AVAILABLE UPON REQUEST

DIMENSION (INCHES)

SIZE	L	ØD	BORE	WEIGHT (LBS)
2"	0.75	4.21	1.18	2.86
2 1/2"	0.75	5.00	1.57	3.96
3"	0.75	5.59	2.05	4.84
4"	0.75	6.61	2.83	6.16
5"	0.87	7.64	3.74	8.58
6"	0.87	8.82	4.53	12.54
8"	1.13	11.42	6.22	30.80
10"	1.50	13.86	7.72	39.60
12"	1.50	16.42	9.53	59.40
14"	1.77	17.24	10.63	90.20
16"	2.01	19.25	12.20	123.20
18"	2.36	21.22	14.17	171.60
20"	2.52	23.39	15.94	222.20
24"	2.99	27.36	18.11	396.00
28"	3.50	31.89	20.08	528.00
32"	4.02	36.10	24.02	682.00
36"	5.00	40.04	27.56	979.00
40"	5.75	44.25	30.31	1408.00
48"	6.77	52.80	37.99	2365.00
56"	7.99	60.94	43.31	3740.00
64"	9.02	69.76	49.21	5830.00





CHECK VALVES

WAFER SWING CHECK VALVE

HOW TO ORDER

VALVE TYPE (SERIES)		FEATURES		BODY		TRIM (Hinge / Disc / Seat Ring)		SOFT SEAT ⁽⁴⁾		ENDS		CLASS		SIZE ⁽⁵⁾					
Body Design	Disc Design																		
74 Wafer Check Valve	S Single Disc	NONE	NONE	20	A216 WCB	10	CF8M / CF8M / CF8M	NONE	Metal To Metal	W	0	ANSI 150#	01.5	11/2"					
		6D	API 6D	21	A216 WCC		EPDM		3			ANSI 300#			02	2"			
		6A	API 6A	22	A350 LCB ⁽¹⁾		NBR		6			ANSI 600#			02.5	21/2"			
		N	NACE	23	A352 LC3 ⁽¹⁾		Viton					9					ANSI 900#	03	3"
		ND	NACE/API 6D	24	A217 WC1		Neoprene											04	4"
		F	Fire Safe	25	A217 WC6 ⁽²⁾													05	5"
		G	NACE / Fire Safe	26	A217 WC9 ⁽²⁾													06	6"
				27	A217 C5 ⁽²⁾													08	8"
				28	A217 C12 ⁽¹⁾													10	10"
				30	A351 CF8M ⁽³⁾													12	12"
		31	A351 CF3M ⁽³⁾				14	14"											
		32	A351 CF8 ⁽³⁾				16	16"											
		33	A351 CF3 ⁽³⁾				18	18"											
		40	Monel				20	20"											
		41	Alloy 20				24	24"											
		42	Hastelloy				26	26"											
		43	A182 Gr321				28	28"											
		44	A182 Gr347				30	30"											
		45	Duplex				36	36"											
							40	40"											
							42	42"											
							48	48"											
							54	54"											
							60	60"											
							66	66"											
							72	72"											
							78	78"											
							84	84"											

Example

Single Disc Check Valve, Body ASTM A351 Gr. CF8M, Disc 316SS, Seat EPDM, Wafer ANSI Class 150#, Size 12" According with API6D and NACE.

74S-3010E-W012

- (1) Low temperature Service
- (2) High temperature Service
- (3) Stainless Steel
- (4) Available for Dual Disc & wafer compact (WC) valves only

- (5) Available Sizes for DUAL PLATE: ANSI Class 150# - from 1 1/2" to 84" 300# - from 1 1/2" to 60", 600# - from 1 1/2" to 48", 900# - from 1 1/2" to 42" & 1500# - from 2" to 24", 2500# - from 2" to 12"
- Available Sizes for WAFER COMPACT: ANSI Class 150# - from 1 1/2" to 60", 300# & 600# - from 2" to 12"
- Available Sizes for WAFER STD: ANSI Class 150#, 300 & 600# - from 2" TO 24"

- General Notes:
 *API 603 Light Wall (ANSI/ASME B16.34)
 **API 600 Heavy Wall
 ***HF = Usually Stellite 6 other available under request

