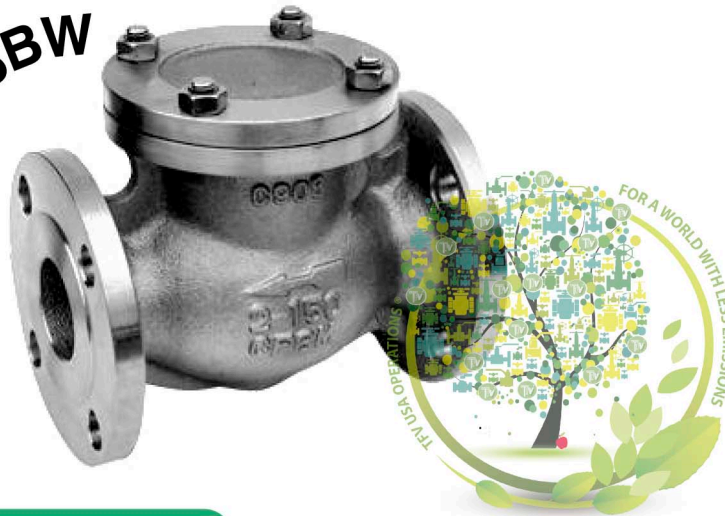


CHECK VALVES

CAST IRON SWING CHECK VALVE

Series 76BW



FEATURES

- Swing Type
- Bolted Cover
- Bronze Trimmed
- Flanged Ends
- Conforms to Specifications of MSS-SP-71

MATERIAL LIST

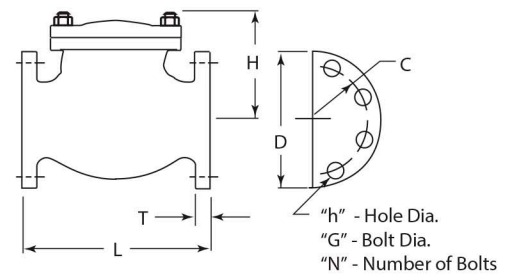
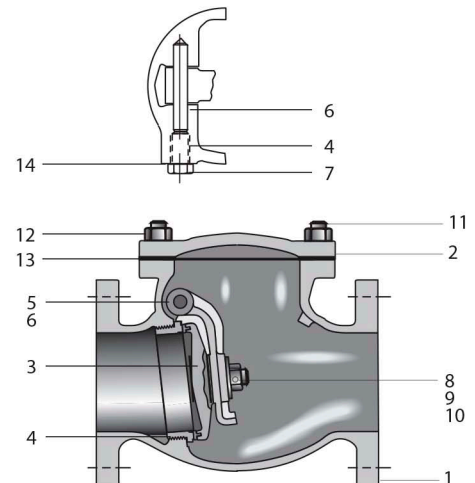
Item	Description	Material	Specification
1	Body	Cast iron	ASTM A126 Class B
2	Cover	Cast iron	ASTM A126 Class B
3	Disc	Cast iron / Cast Bronze	ASTM A126 Class B / ASTM B62-C83600
4	Body seat ring	Cast bronze	ASTM B62-C83600
5	Hanger	Cast bronze	ASTM B62-C83600
6	Hanger pin	Brass	CDA-678
7	Plug	Brass rod	ASTM B16-C36000
8	Disc nut	Stainless steel	ASTM A276 Type 304
9	Washer	Stainless steel	ASTM A276 Type 304
10	Split pin	Stainless steel	ASTM A276 Type 304
11	Cover stud bolt	Steel	ASTM A307 Grade B
12	Cover bolt nut	Steel	ASTM A563 Grade A
13	Gasket	Non-asbestos	T#1995
14	Gasket	Non-asbestos	T#1995

WORKING PRESSURE

Working Pressure Non-Shock (psi)		Test Pressure (psi)	
Saturated Steam	Cold Water, Oil, Gas	Shell (Water)	Seat (Water)
125	200	350	220

DIMENSION (INCHES)

Size	2	2-1/2	3	4	5	6	8	10	12
L	7.99	8.50	9.49	11.50	12.99	14.02	19.49	24.49	27.48
H	4.53	4.92	5.75	6.42	7.64	11.06	12.72	14.25	16.42
D	6.00	7.00	7.50	9.00	10.00	11.00	13.50	16.00	19.00
C	4.75	5.50	6.00	7.50	8.50	9.50	11.75	14.25	17.00
T	0.62	0.69	0.75	0.94	0.94	1.00	1.12	1.19	1.25
N	4	4	4	8	8	8	8	12	12
h	0.75	0.75	0.75	0.75	0.88	0.88	0.88	1.00	1.00
G	0.62	0.62	0.62	0.62	0.75	0.75	0.75	0.88	0.88
Wt.	21	29	41	68	101	134	256	357	556



Notes:

1. Face to face dimensions for flanged swing check valves conform to ANSI B16.10.
2. End flange dimensions and drilling conform to ANSI B16.1. End flanges are fully flat faced and smooth finished on the joint side in accordance with MSS SP-6.
3. Pressure-temperature ratings conform to those specified in MSS SP-71.
4. Discs in sizes 3" and smaller are constructed of solid cast bronze and disc seat rings are pressed into discs sizes 4" and larger.
5. Eye bolts are securely fastened on the covers in sizes 6" and larger to facilitate handling.
6. For sizes 4" and larger, by-pass bosses are provided in accordance with MSS SP-45.



CHECK VALVES

CAST IRON SWING CHECK VALVE

HOW TO ORDER

VALVE TYPE (SERIES)				MATERIAL		ENDS	CLASS	SIZE ⁽⁴⁾	
Body Design	Bonnet Design	Wedge/Disc Design	FEATURES		BODY			TRIM (Hinge Pin/Disc Seat/Seat Ring)	
76 CHECK Valve Low Pressure	B Bolted Bonnet	W Swing Check Design	NONE	NONE	60 Cast Iron	60 Cast Iron 61 Bronze / Brass ⁽¹⁾	L Flanged FF	7 ANSI 125#	02 2" 02.5 2 1/2" 03 3" 04 4" 05 5" 06 6" 08 8" 10 10" 12 12"

Example

Swing Check Valve OS&Y, Bolted Bonnet, Body Cast Iron, Trim Bronze, Flanged ANSI Class 125# Size 6".

76BW-6061-L706

