

CHECK VALVES

“Y” TYPE SPRING LOADED CHECK VALVE

FEATURES

- MAXIMUM WORKING PRESSURE 800 PSI.
- INVESTMENT CASTING BODY & CAP.
- THREAD ENDS CONFORM TO ANSI B2.1
- MANUFACTURED IN ISO 9001 APPROVED FACILITY

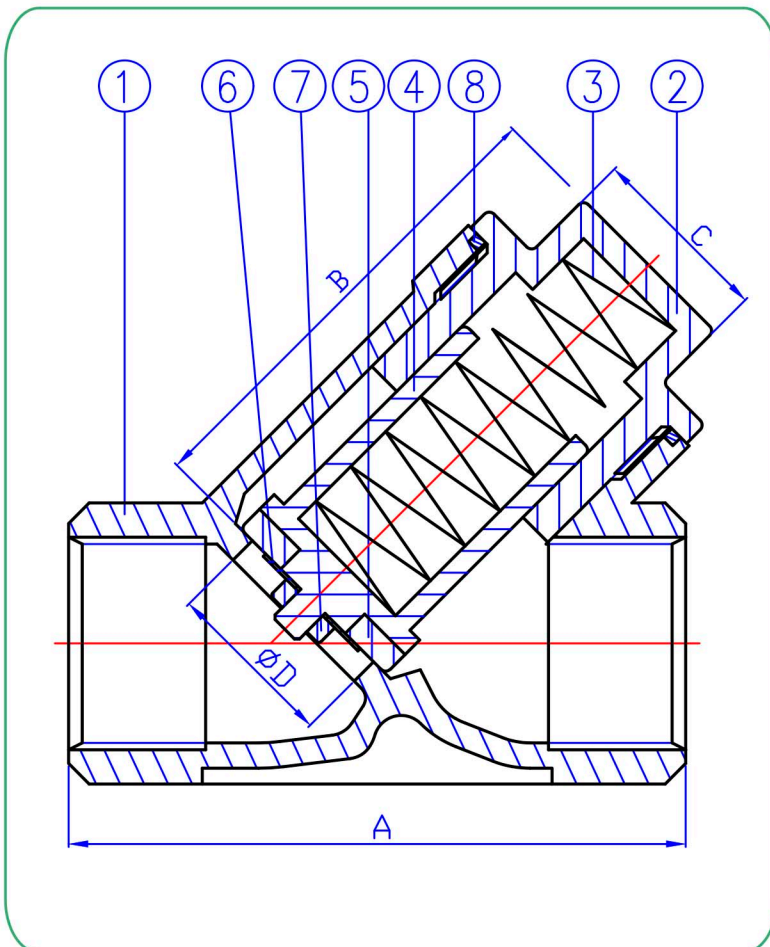


MATERIAL LIST

No.	PART NAME	MATERIAL
1	BODY	CF8M
2	CAP	CF8M
3	SPRING	SS 304
4	DISC	SS 316
5	SEAT	PTFE
6	WASHER	SS 304
7	NUT	SS 304
8	GASKET PACKING	PTFE

DIMENSION (INCHES)

SIZE	A	B	C	D	WEIGHT (LBS)
1/4"	2.56	1.81	0.75	0.43	0.59
3/8"	2.56	1.81	0.75	0.51	0.57
1/2"	2.56	1.81	0.75	0.59	0.57
3/4"	3.15	2.28	0.91	0.79	0.92
1"	3.54	2.72	1.06	0.98	1.76
1 1/4"	4.13	2.95	1.26	1.26	2.20
1 1/2"	4.72	3.35	1.61	1.50	3.30
2"	5.51	3.86	1.97	1.97	4.84
2 1/2"	6.69	4.76	2.28	2.56	6.60
3"	7.87	5.28	2.28	3.15	7.70





CHECK VALVES

tfv usaoperation

contact@tfvusao.com
www.tfvusao.com

Call free from USA and CANADA

t: 1-866-TFV-USA0 (838-8726)

“Y” TYPE SPRING LOADED CHECK VALVE

HOW TO ORDER

CLASS	SERIES VALVE BODY DESIGN	MATERIAL			ENDS	SIZE
		BODY	DISC	SEAT		
8 800# CWP	7YL "Y" TYPE CHECK VALVE SPRING LOADED	3 CF8M	3 316SS	P PTFE	T THREADED	0.25 1/4"
						0.38 3/8"
					S SOCKET WELD	0.5 1/2"
						0.75 3/4"
					1 1"	
					01.25 1 1/4"	
					01.5 1 1/2"	
					02 2"	
					02.5 2 1/2"	
					03 3"	

Example

“Y” Type Spring Loaded Check Valve, Body ASTM A351 Gr. CF8M & Disc 316SS,
Seat PTFE, Threaded, Maximum Working Pressure 800#, Size 2”.

87YL33T02

